

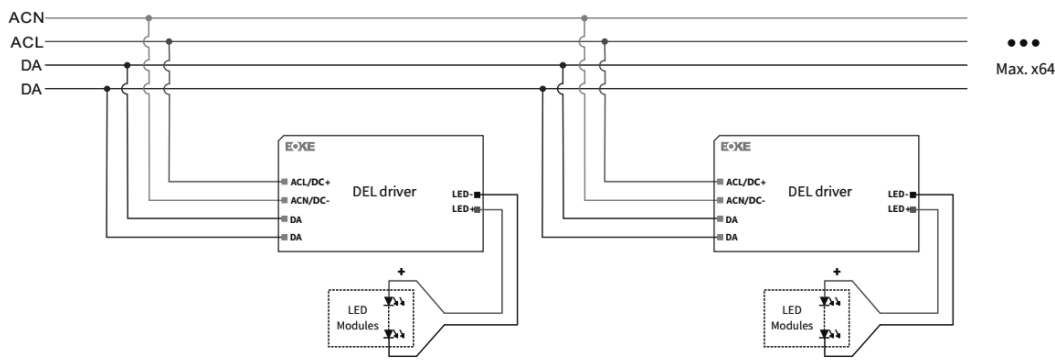
SAFETY NOTE

- Read the instructions carefully before use.
- Keep these instructions while you use the device.
- Installation and maintenance are reserved for qualified persons who can work on products that must be manually connected to 230V current.
- Before any assembly action, cut off the power supply.
- The flexible exterior cable of this luminaire cannot be replaced; if the cable is damaged, the luminaire must be destroyed.
- Caution, risk of electric shock when opening the product. ⚠
- This luminaire has a remote power supply, just connect the luminaire to a 220-230VAC electrical supply to make it work.
- The remote aspect of the power supply has an impact on the design of the luminaire and its installation and use. For example, a luminaire with a remote power supply is smaller and lighter to be installed in places that are narrow or difficult to access.
- Do not use this product with a variation control, this product is not dimmable.
- Do not put a coating such as paint on the fixture.
- If an anomaly occurs, cut off the power immediately and contact the dealer
- Do not disconnect the power cable from the light side when the power is on.
- The terminal block is not included; installation may require the advice of a qualified person.
- Luminaire designed for direct installation on normally flammable surfaces.
- Do not look at the luminaire in normal use for more than 10 seconds as this can be dangerous for the eyes.
- The luminaire should be positioned in such a way that an extended look towards the luminaire at a distance of less than 0.20 m is not possible.
- This product meets all the essential requirements of each of the directives applicable to it.
- At the end of its life, this product must be collected separately and must not be mixed with other household waste for the respect of human health and safety and for the conservation of natural resources.

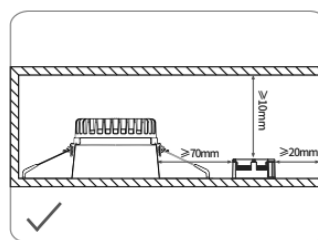
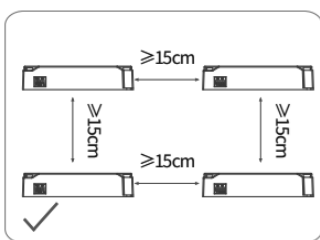
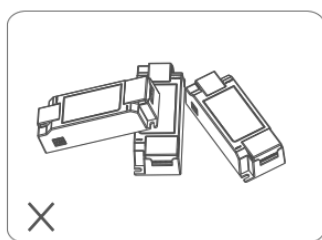
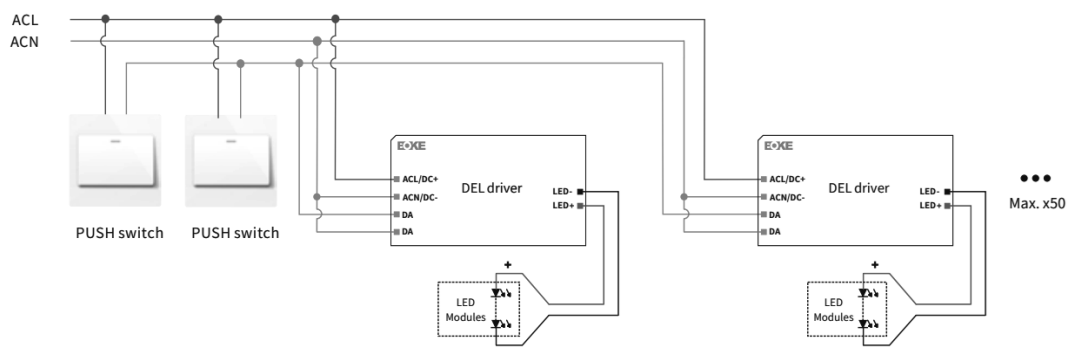
100749

SCHÉMA DE CÂBLAGE / CABLE WIRING

DALI



PUSH



Environmental Protection (W.E.E.E.) – Aurora's WEEE Reg.No. WEE/BG0130YX (UK Only)

 Waste Electrical & Electronic Equipment Regulations (WEEE) requires that any of our products showing this marking (left) must not be disposed of with other household or commercial waste. Aurora does not levy any WEEE disposal charges to its customers for affected WEEE related products. To prevent possible harm to the environment or human health from uncontrolled waste disposal, please separate any such product from other waste types and recycle it responsibly at your local facilities. Check with your Local Authority, Recycling Centre or retailer for recycling advice. If, when you purchased any Aurora product, your supplier included a WEEE disposal fee, you should then contact your supplier for advice on his take back of the product for the correct disposal.

GUARANTEE

This product is guaranteed for a period of 5 years from the date of purchase. The guarantee is invalid in the case of improper use, installation, tampering, and removal of the Q.C. date label, installation in an improper working environment or installation not according to the current edition of the National Wiring Regulations. Should this product fail during the guarantee period it will be replaced free of charge, subject to correct installation and return of the faulty unit. Aurora does not accept responsibility for any installation costs associated with the replacement of this product. This warranty is in addition to the statutory rights in your country of purchase. Aurora reserves the right to alter specifications without prior notice.

100749