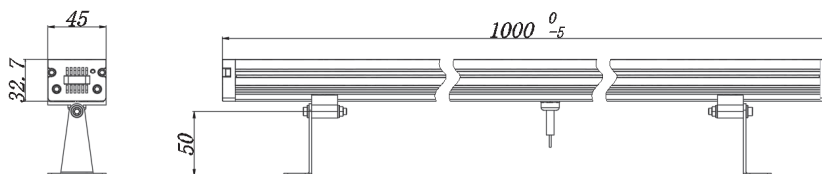


PARAMÈTRES TECHNIQUES / TECHNICAL PARAMETERS

Température de travail (°C) : -25°C / +50°C
Voltage : 24V DC
Isolement : classe 3
Degré de protection : IP65
Matériaux : Aluminium

Working temperature (°C) : -25°C / +50°C
Working voltage : 24V DC
Insulation grade : classe 3
Protection degree : IP65
Housing material : Aluminium



SAFETY NOTE

- Read the instructions carefully before use
- Keep these instructions as long as you use the appliance.
- Before any assembly action, cut off the power supply
- The flexible outer cable of this luminaire cannot be replaced; if the cable is damaged, the luminaire must be destroyed.
- Caution, risk of electric shock when opening the product. ⚠
- This light source does not have a power supply included, must be supplied with 24 VDC.
- The terminal block is not included; the installation may require the advice of a qualified person
- Light source designed for direct installation on normally flammable surfaces
- Do not look at the light source in normal use for more than 10 seconds as this can be dangerous for the eyes.
- The light source should be positioned in such a way that prolonged gaze of the luminaire at a distance of less than 0.20 m is not possible.
- Overheating of the device may cause accidents. Observe a minimum distance of 0.2m around and above the device.
- This product meets all the essential requirements of each of the directives applicable to it.
- At the end of its life, this product must be collected separately and must not be mixed with other household waste to respect the health and safety of people and to conserve natural resources.

Environmental Protection (W.E.E.E.) – Aurora's WEEE Reg.No. WEE/BG0130YX (UK Only)

 Waste Electrical & Electronic Equipment Regulations (WEEE) requires that any of our products showing this marking (left) must not be disposed of with other household or commercial waste. Aurora does not levy any WEEE disposal charges to its customers for affected WEEE related products. To prevent possible harm to the environment or human health from uncontrolled waste disposal, please separate any such product from other waste types and recycle it responsibly at your local facilities. Check with your Local Authority, Recycling Centre or retailer for recycling advice. If, when you purchased any Aurora product, your supplier included a WEEE disposal fee, you should then contact your supplier for advice on his take back of the product for the correct disposal.

GUARANTEE

This product is guaranteed for a period of 2 years from the date of purchase. The guarantee is invalid in the case of improper use, installation, tampering, and removal of the Q.C. date label, installation in an improper working environment or installation not according to the current edition of the National Wiring Regulations. Should this product fail during the guarantee period it will be replaced free of charge, subject to correct installation and return of the faulty unit. Aurora does not accept responsibility for any installation costs associated with the replacement of this product. This warranty is in addition to the statutory rights in your country of purchase. Aurora reserves the right to alter specifications without prior notice.

80240

CONNEXION PAR CÂBLE / WIRE CONNECTION

1. Recommended for outdoor use (pay attention to water impermeability).
2. The Black wire is the anode.
3. The Red wire is red cathode.
4. The Black wire is connected to V +, the Red wire to V-.
5. The number of lights could be connected by parallel connection with DMX decompier depend on the power of the power supply.

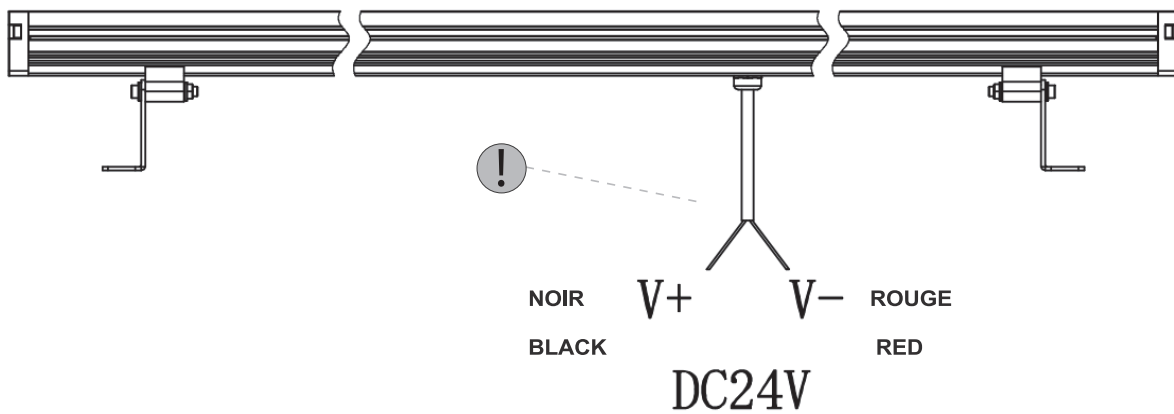
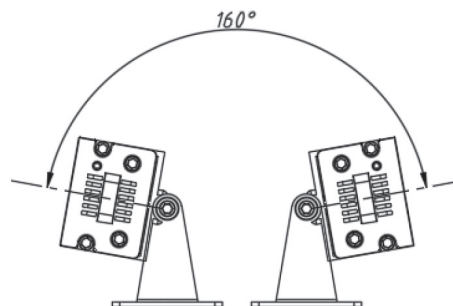


TABLEAU D'INSTALLATION / INSTALLATION CHART

1. The Installation of the products must be installed by the professionals, the power must be cut off before installation.
2. Pls fix lamps to the installation position according to picture, pay attention to the direction of light, connect with corresponding power according to the lamp model.



80240