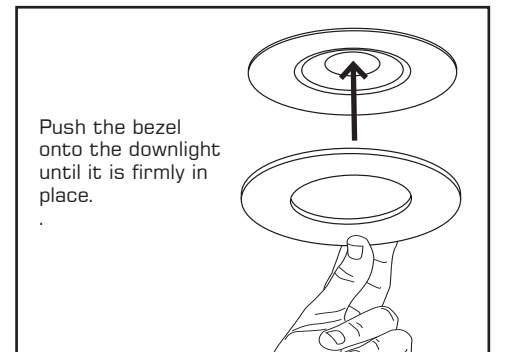


### BEZEL ACCESSORY INSTALLATION (FDBZP, FDBZS, FDBZB)




# ENLITE®

**CODE: FD2/CS**  
6W IP65 COLOUR SWITCHABLE  
DIMMABLE FIRE RATED DOWNLIGHT




## IMPORTANT INSTALLATION INFORMATION

- Installation should be carried out by a qualified electrician in accordance with the latest edition of the National wiring regulations.
- Mains supply voltage 220-240V AC 50/60Hz
- Ensure that ALL electrical connections are tight with no loose strands including factory made connections.
- Class II, Double Insulated an earth is not required.
- This luminaire is dimmable. Please check the Enlite website for compatibility.
- The light source of this luminaire is not replaceable: when the light source reaches its end of life the whole luminaire shall be replaced..
- Please Note: May not be compatible with PIR's. Please contact sales office for compatibility.
- We do not recommend mixing LEDs circuits with products such as extractor fans. This is due to the sensitive nature of LEDs and is not product specific.
- This product contains a light source of energy efficiency class F.
- This luminaire is IP65 rated from the front.
-  For indoor use only
- LIVE – (Brown) to Terminal Marked L  
NEUTRAL – (Blue) to Terminal Marked

## WARRANTY INFORMATION

Environmental Protection (W.E.E.E.) – Enlite's WEEE Reg.No. WEE/BG0130YX (UK Only)

 Waste Electrical & Electronic Equipment Regulations (WEEE) requires that any of our products showing this marking (left) must not be disposed of with other household or commercial waste. Enlite does not levy any WEEE disposal charges to its customers for affected WEEE related products. To prevent possible harm to the environment or human health from uncontrolled waste disposal, please separate any such product from other waste types and recycle it responsibly at your local facilities. Check with your Local Authority, Recycling Centre or retailer for recycling advice. If, when you purchased any Enlite product, your supplier included a WEEE disposal fee, you should then contact your supplier for advice on his take back of the product for the correct disposal.

### GUARANTEE

This product is guaranteed for a period of 2 years from the date of purchase. The guarantee is invalid in the case of improper use, installation, tampering, and removal of the Q.C. date label, installation in an improper working environment or installation not according to the current edition of the National Wiring Regulations. Should this product fail during the guarantee period it will be replaced free of charge, subject to correct installation and return of the faulty unit. Enlite does not accept responsibility for any installation costs associated with the replacement of this product. This warranty is in addition to the statutory rights in your country of purchase. Enlite reserves the right to alter specifications without prior notice.