





LED CCT Wallpack

Designed to be used where the aesthetics of the light fitting, along with a tough robust construction is needed. The fittings are IP65 and IK8 compliant, supplied complete with an opal diffuser for even light distribution. Available in emergency and non emergency versions.

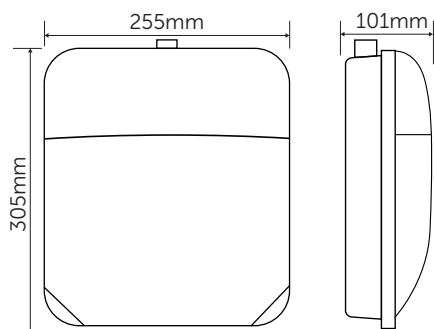
- Genuine replacement for 70W Metal Halide & Sodium
- High impact polycarbonate construction
- 68% energy saving
- 30000 hours

Options

- Photocell version
- Emergency / Emergency Photocell version



LMR80: Maximum 20% of lumen depreciation over rated hours.
B10: Maximum 10% of fittings failure rate over rated hours





LED CCT Wallpack

Technical Specification

Construction	Polycarbonate Base & Lens
Driver	BELL
LED Chip	Samsung
IP Rating	IP65
Operating Temp	-30°C to +35°C / Emergency version minimum temperature 0°C
Input Voltage	240V
Power Factor	> 0.9
CRI	80 - Exceeds EU standard of Ra 70 for Colour Rendering Index
LMR	80 - Exceeds EU standard of 70 for Lumens Maintenance Ratio

Code	V	W	Description	Lm	Lm/W	Beam Angle	Temp	Hours
11350	220-240	22	Muro CCT LED Wallpack	1600	72	120°	3000/4000K	30000
11351	220-240	22	Muro CCT LED Wallpack Emergency	1600	72	120°	3000/4000K	30000
11352	220-240	22	Muro CCT LED Wallpack Microwave Sensor	1600	72	120°	3000/4000K	30000
11353	220-240	22	Muro CCT LED Wallpack Photocell	1600	72	120°	3000/4000K	30000
11354	220-240	22	Muro CCT LED Wallpack Emergency, Microwave Sensor	1600	72	120°	3000/4000K	30000
11355	220-240	22	Muro CCT LED Wallpack - Emergency, Photocell	1600	72	120°	3000/4000K	30000

Emergency versions must be tested in line with the requirements of BS5266, failure to do so may effect battery life and warranty.

¹ Exceeds EU standard of 70 for Lumens Maintenance Ratio

² Exceeds EU standard of RA 70 for Colour Rendering Index

³ Subject to terms & conditions (Contact Customer Service)

