

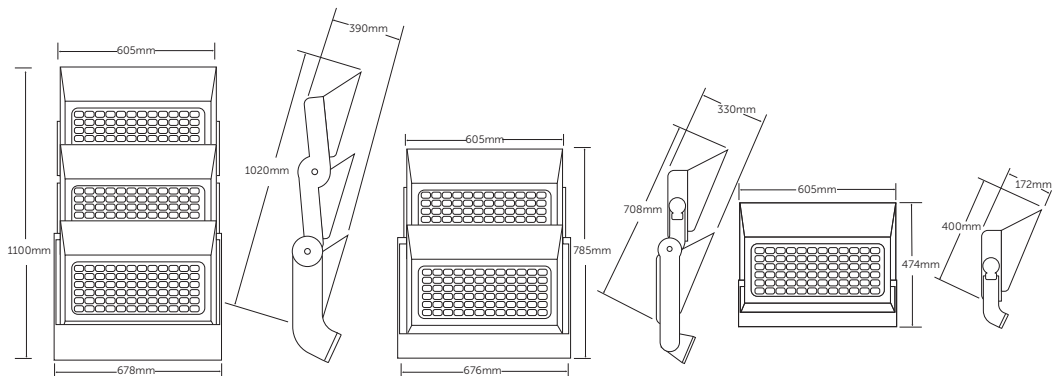
Images show with optional Deep Visors

# SkylinePowertron

## Asymmetric LED Floodlight

The Skyline Powertron Asymmetric LED Floodlight is the highest lumen output floodlight ever produced by BELL. The black powder coated die cast aluminium construction gives an ultra-modern aesthetic combined with a staggering 283,000 lumen output (1800W). The rugged, robust construction of the Powertron makes this fitting ideal for external sports facilities open to the elements.

- 600/1200/1800W Modular Body Design
- Genuine replacement for 1000W/2000W Metal Halide Floodlights
- Up to 157 Lm/W
- IP66
- Fully adjustable angled mounting bracket
- Suitable for multiple row columns installation
- Angle markings on bracket for easy alignment
- Scope available on request for fine on site aiming
- Full cut-off horizontal asymmetric floodlight
- Low weight & windage
- Optional ULR Shields available for 0% upward light, glare and obstructive light reduction
- Remote driver gear tray, can be mounted on ground level for easy maintenance

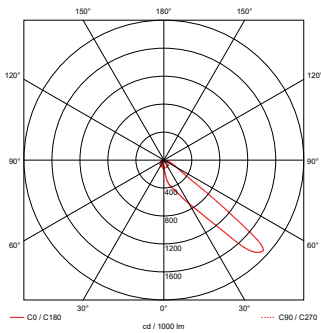


# SkylinePowertron

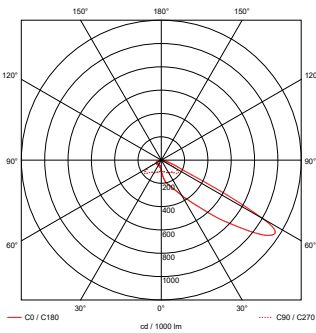
## Asymmetric LED Floodlight

### Technical Specification

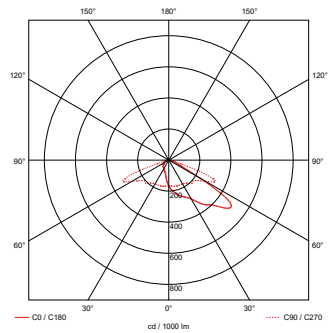
Construction	Black powder coated die cast aluminium (RAL 9017)
Driver	600W & 1200W UPowerTek / 1800W BELL
LED Chip	OSRAM 3737
IP Rating	IP66
Operating Temp	-30°C to +35°C
Controls	0-10V or DALI, please specify when ordering. DMX / PWM special order
Power Factor	> 0.9
Input Voltage	200-240
CRI	70 - Exceeds EU standard of Ra70 for Colour Rendering Index
LMR	80 - Exceeds EU standard of 70 for Lumens Maintenance Ratio
Weight	Remote Driver: 600W 8.9Kg / 1200W 20.5Kg / 1800W 36Kg Including Driver: 600W 13.2Kg / 1200W 31.8Kg / 1800W 41.5Kg
Windage/EPA	600W 0.09m <sup>2</sup> @ 0° / 1200W 0.22m <sup>2</sup> @ 0° / 1800W 0.40m <sup>2</sup> @ 0°



Narrow Asymmetric Beam



Medium Asymmetric Beam



Wide Asymmetric Beam

<sup>1</sup> Exceeds EU standard of 70 for Lumens Maintenance Ratio

<sup>2</sup> Exceeds EU standard of RA 70 for Colour Rendering Index

<sup>3</sup> Subject to terms & conditions (Contact Customer Service)

# Skyline Powertron

## Asymmetric LED Floodlight

Code	W	Description	Lm (up to)	Temp	Lm/W (up to)	Hours
11330	600	Powertron 600W 4000K NAB Floodlight	94,200	4000K	157	100,000
11829	600	Powertron 600W 4000K MAB Floodlight	92,600	4000K	154	100,000
11830	600	Powertron 600W 4000K WAB Floodlight	92,800	4000K	155	100,000
11331	1200	Powertron 1200W 4000K NAB Floodlight	188,650	4000K	157	100,000
11831	1200	Powertron 1200W 4000K MAB Floodlight	186,000	4000K	155	100,000
11832	1200	Powertron 1200W 4000K WAB Floodlight	185,900	4000K	155	100,000
11332	1800	Powertron 1800W 4000K NAB Floodlight	283,330	4000K	157	100,000
11833	1800	Powertron 1800W 4000K MAB Floodlight	280,450	4000K	156	100,000
11834	1800	Powertron 1800W 4000K WAB Floodlight	280,260	4000K	156	100,000
11341		Deep Visor for Skyline Powertron				
11345		Shallow Visor for Skyline Powertron				
11828		360° Visor for Skyline Powertron				
11346		Aiming Scope for Skyline Powertron				

Please note; if using shields order:

1 for 600W

2 for 1200W

3 for 1800W

440V Available on request





