

Installation Instructions: Trimless Bracket (10512)

Date	Revision
24.5.2022	2

Read these instructions before installation and retain for future reference

This equipment should be installed by a competent electrician



Important Information

We recommend that luminaires are installed by a qualified electrician ensuring the installation complies with current IEE wiring regulations BS7671:2018 & local building control.

- BELL will not accept responsibility for any claims arising from a poor installation.

Important User Advice

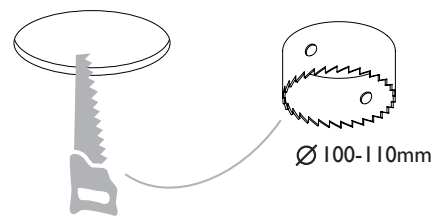
- The ambient room temperature should not exceed 35°C.
- Always switch off mains supply before installing.

This product may contain substances that can be hazardous to the environment if not disposed of properly. Electrical and electronic equipment should never be disposed of with general household waste but must be separated for its correct treatment and recovery.

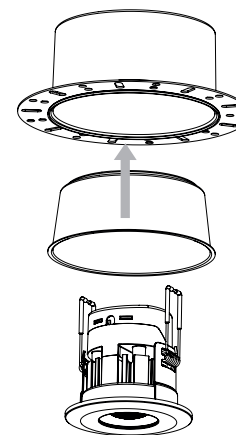
Where possible recycle your packaging.



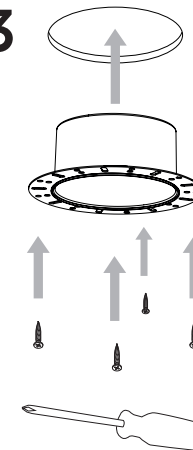
1



2

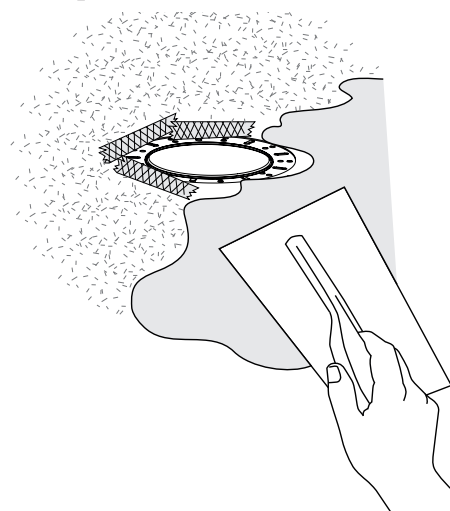


3

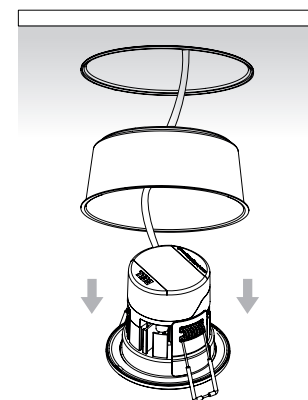


Fix to the ceiling using
6x Stainless Steel Drywall Screws

4



5



Technical Helpline +44 (0)1924 893380

www.bellighting.co.uk

British Electric Lamps Ltd
Unit A Foxbridge Way, Normanton Industrial Estate
Normanton, West Yorkshire. WF6 1TN

T: +44 (0)1924 893380 F: +44 (0)1924 894320 E: sales@bellighting.co.uk

www.bellighting.co.uk