

## Important Information

We recommend that luminaires are installed by a qualified electrician ensuring the installation complies with current IEE wiring regulations BS7671:2018 & local building control.

- BELL will not accept responsibility for any claims arising from a poor installation.
- Operating Temperature 0°C to +35°C

Cut-Outs	
Fixed	Ø60-63mm
Centre Tilt	Ø64-68mm

This product may contain substances that can be hazardous to the environment if not disposed of properly. Electrical and electronic equipment should never be disposed of with general household waste but must be separated for its correct treatment and recovery.

Where possible recycle your packaging.



## Insulation Coverable

Max depth 300mm



Read these instructions before installation and retain for future reference



This equipment should be installed by a competent electrician

## Features

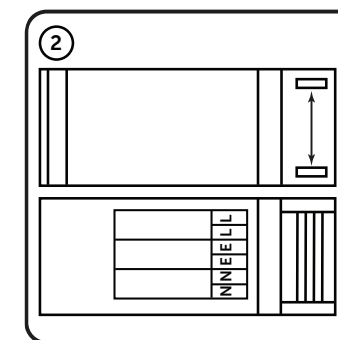
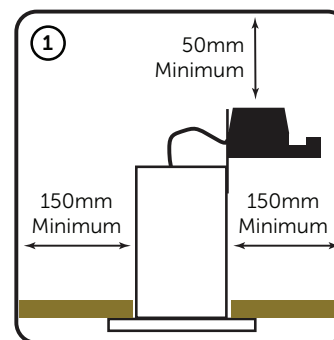
- Suitable for ambient temperature 35° C

## Important installation information

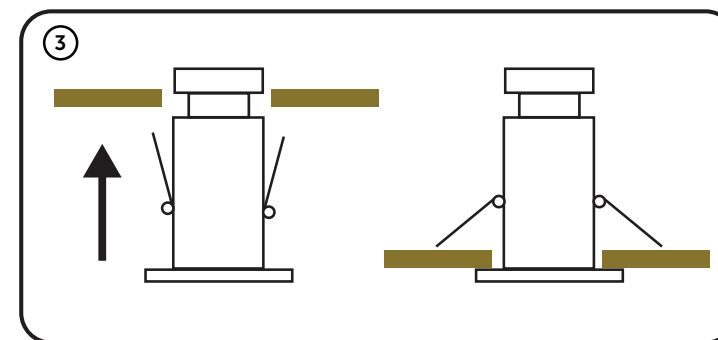
- These luminaires are for indoor use only.
- **IMPORTANT** ensure that **ALL** electrical connections are tight with no loose strands including factory made components.
- Before commencing installation or maintenance ensure the electricity supply is switched off at the mains.
- The nearest illuminated surface must be at least 0.5m from the front of the luminaire.

## Installation instructions

1. Select the required position for the luminaire ensuring the clearance shown in **fig 1** are observed. Beware of joists, water pipes and electric cables. Cut a hole in the ceiling appropriate for the type of luminaire to be fitted For IP65 units ensure the contact area between the fitting and the contact surface is smoothed for correct IP65 rating. A suitable silicon sealant may be used. Failure to do this may result in IP65 rating not being maintained.
3. Connect the luminaire to the power supply for the lamp using the terminal block supplied see **fig 2**.
4. Slide the legs of the mounting spring clips into the ceiling cut-out and push the luminaire up into the aperture. The legs must be unobstructed to ensure that it is securely located on the ceiling **fig 3**.



Insert screwdriver to release cord grip to gain access to tool-less terminals.



Technical Helpline +44 (0)1924 893380

[www.bellighting.co.uk](http://www.bellighting.co.uk)

British Electric Lamps Ltd  
Unit A Foxbridge Way, Normanton Industrial Estate  
Normanton, West Yorkshire. WF6 1TN

T: +44 (0)1924 893380 F: +44 (0)1924 894320 E: [sales@bellighting.co.uk](mailto:sales@bellighting.co.uk)

[www.bellighting.co.uk](http://www.bellighting.co.uk)