

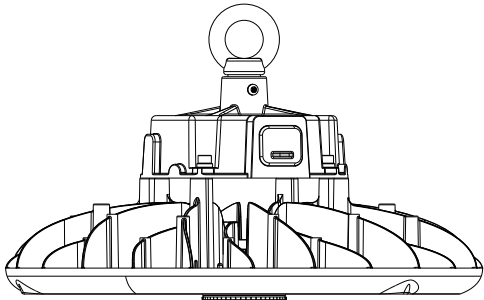
Important Information

We recommend that luminaires are installed by a qualified electrician ensuring the installation complies with current IEE wiring regulations BS7671:2018 & local building control.

- BELL will not accept responsibility for any claims arising from a poor installation.
- Do not cover with any insulation.
- Internal use only.

This product may contain substances that can be hazardous to the environment if not disposed of properly. Electrical and electronic equipment should never be disposed of with general household waste but must be separated for its correct treatment and recovery.

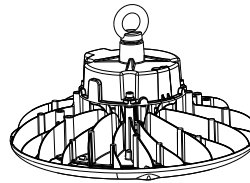
Where possible recycle your packaging.



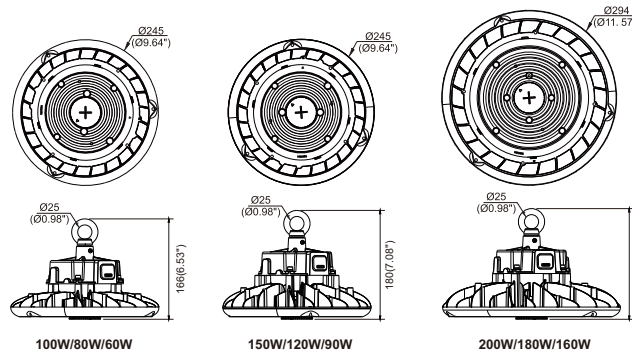
Read these instructions before installation and retain for future reference



This equipment should be installed by a competent electrician



Physical Dimensions (Unit: mm/inch)



Product Specifications	100W/80W/60W	150W/120W/90W	200W/180W/160W
Input Voltage	220-240VAC		
Power Frequency	50 / 60 Hz		
Outlook Dimensions	Ø245x168mm(Ø9.64"x6.53")	Ø245x180mm(Ø9.64"x7.08")	Ø294x183mm(Ø11.57"x7.20")
Luminaire Net Weight	1.7±0.3kg(3.75±0.66Lbs)	1.8±0.3kg(3.97±0.66Lbs)	2.5±0.3kg(5.51±0.66Lbs)
Working Temperature	-30°C to +50°C(-22°F to +122°F)		
Storing Temperature	-40°C to +70°C(-40°F to +158°F)		

Wattage Switchable

Caution: Please power off the luminaires before adjusting the DIP switch. Please do not use metal tool to adjust the DIP switch. Please adjust the switch gently.

Slide Switch to adjust output power

11454/11455 (Switchable) :
A: 200W B: 180W C: 160W

11452/11453 (Switchable) :
A: 150W B: 120W C: 90W

11450/11451 (Switchable) :
A: 100W B: 80W C: 60W

Sensor Mounting

Suspension Mounting

⚠️ Make sure the screws are tightened

2 ⚠️ Recommended Hook Size:
Ø8x80mm/
Ø9x90mm/
Ø10x100mm

Ceiling Mounting (Unit: mm/inch)

Important Information

We recommend that luminaires are installed by a qualified electrician ensuring the installation complies with current IEE wiring regulations BS7671:2018 & local building control.

- BELL will not accept responsibility for any claims arising from a poor installation.
- Do not cover with any insulation.
- Internal use only.

This product may contain substances that can be hazardous to the environment if not disposed of properly. Electrical and electronic equipment should never be disposed of with general household waste but must be separated for its correct treatment and recovery.

Where possible recycle your packaging.



Read these instructions before installation and retain for future reference

This equipment should be installed by a competent electrician

