



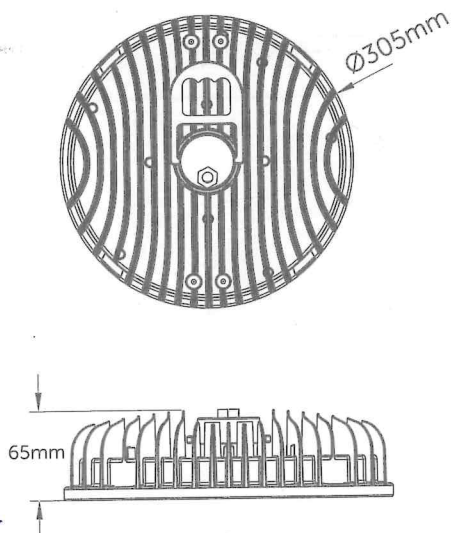
Read these instructions before installation and retain for future reference. This equipment should be installed by a competent electrician

Important Information

We recommend that luminaires are installed by a qualified electrician ensuring the installation complies with current IEE wiring regulations BS7671:2018 & local building control.

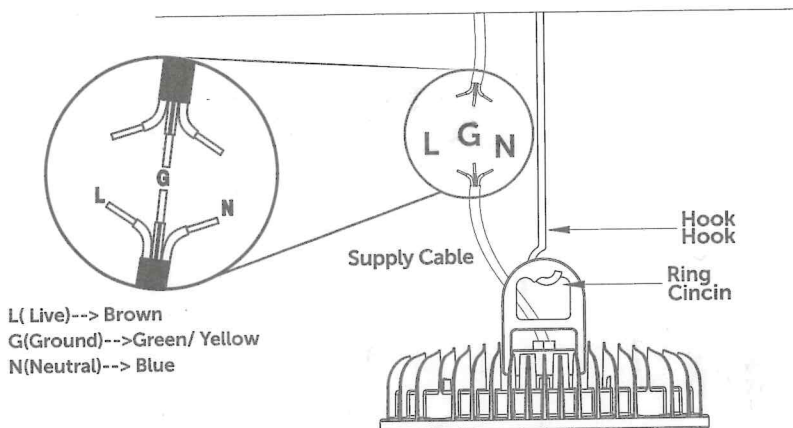
- BELL will not accept responsibility for any claims arising from a poor installation.
- The light source of this luminaire is not replaceable: when the light source reaches end of life, the whole luminaire must be replaced.
- Always switch off mains supply before installing.

Dimensions

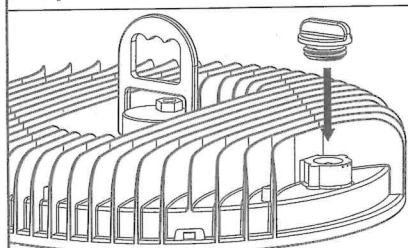


Installation

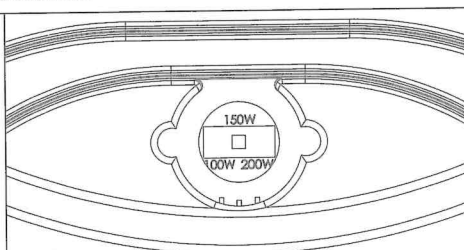
- Turn off the power before installation
- Connect the luminaire
- Turn on the luminaire after installation is completed.



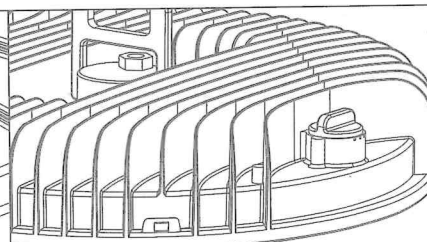
Operation method of power adjustment



1. First unscrew the plastic screw on the side

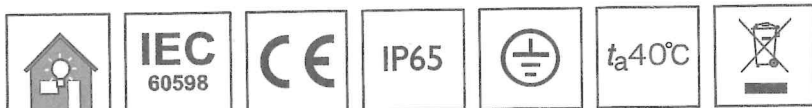


2. Switch to the power required.
The switch to the left is 100W, to the middle is 150W, to the right is 200W



3. After adjusting to the required power, screw the plastic screw back.

Type Number	Power	Voltage	Frequency	CCT	kg
100W	100W	AC 220-240V	50/60Hz	4000K	2.90
150W	150W				2.90
200W	200W				2.90



Technical Helpline +44 (0)1924 893380

www.bellighting.co.uk

British Electric Lamps Ltd, Unit A Foxbridge Way
Normanton Ind Est, Normanton, West Yorkshire. WF6 1TN

T: +44 (0)1924 893380 F: +44 (0)1924 894320 E: sales@bellighting.co.uk