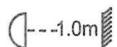


INSTALLATION USE AND MAINTENANCE INSTRUCTIONS

Warning! Safety of this floodlight is guaranteed only if the following instructions are properly respected. It is therefore necessary to preserve them.

- Warning! Before connecting to the main network, during positioning or replacement of lamps, ensure the tension has been disconnected.
- For positioning or replacement of lamp, follow the instructions given by the lamp's manufacturer, which should be supplied itself. Use only lamps with anti-UV protection.

When the LED floodlight is on, ensure that a minimum distance of 1m between the lamp and the illuminated surface is respected, as indicated by the relative symbol (Fig.2-3).



- The LED floodlight can be used only with the protective glass. It's a float tempered glass. Sodic-calcic type.
- The LED floodlight is suitable for outdoor and indoor use.
- Fix the supporting bracket of the LED floodlight by means of (at least) 2 screws M10 positioned in the outer holes of the bracket (Fig.4).
- After adjusting the LED floodlight's aiming, tighten the 3 screws M10 which is fixing to the bracket, with 50+55Nm torsion.
- The LED floodlight is not suitable for serial installation of more floodlights.
- For wire connections of the floodlight make use of cables type Only 1.0mm² feed cable or better ones can be used.

- Connect it to the terminal board as shown in Fig.1.
 - After connecting the feeding cable to the LED floodlight's terminal board block it with the cable clamp and tighten the cable gland deeply.
 - During installation and use, follow the instructions about functioning positions and minimum distances as indicated by Figures 5-6 and do not aim the LED floodlight towards walls or ceilings.
 - Each angle will be controlled by tightening the affixed screw at the bracket. Fig7
 - If the external flexible cable or cord of this luminaire is damaged, it shall be exclusively replaced by the manufacturer or his service agent or a similar qualified person in order to avoid a hazard.
 - Installation height / installation position: any.
 - the light source contained in this luminaire shall only be replaced by the manufacturer or his service agent or a similar qualified person.
- caution, risk of electric shock



Characteristics:

- PRI: Ac100V-240V~ 50/60Hz
- Lamp holder: LED
- Protection degree: IP65
- Cos φ : 0.9
- Power: 30W/50W

- Screws: M8 / M8
- N.W: 0.92kg/1.76kg
- Max surface exposed to the Projection area: 0.04m²/0.06m²

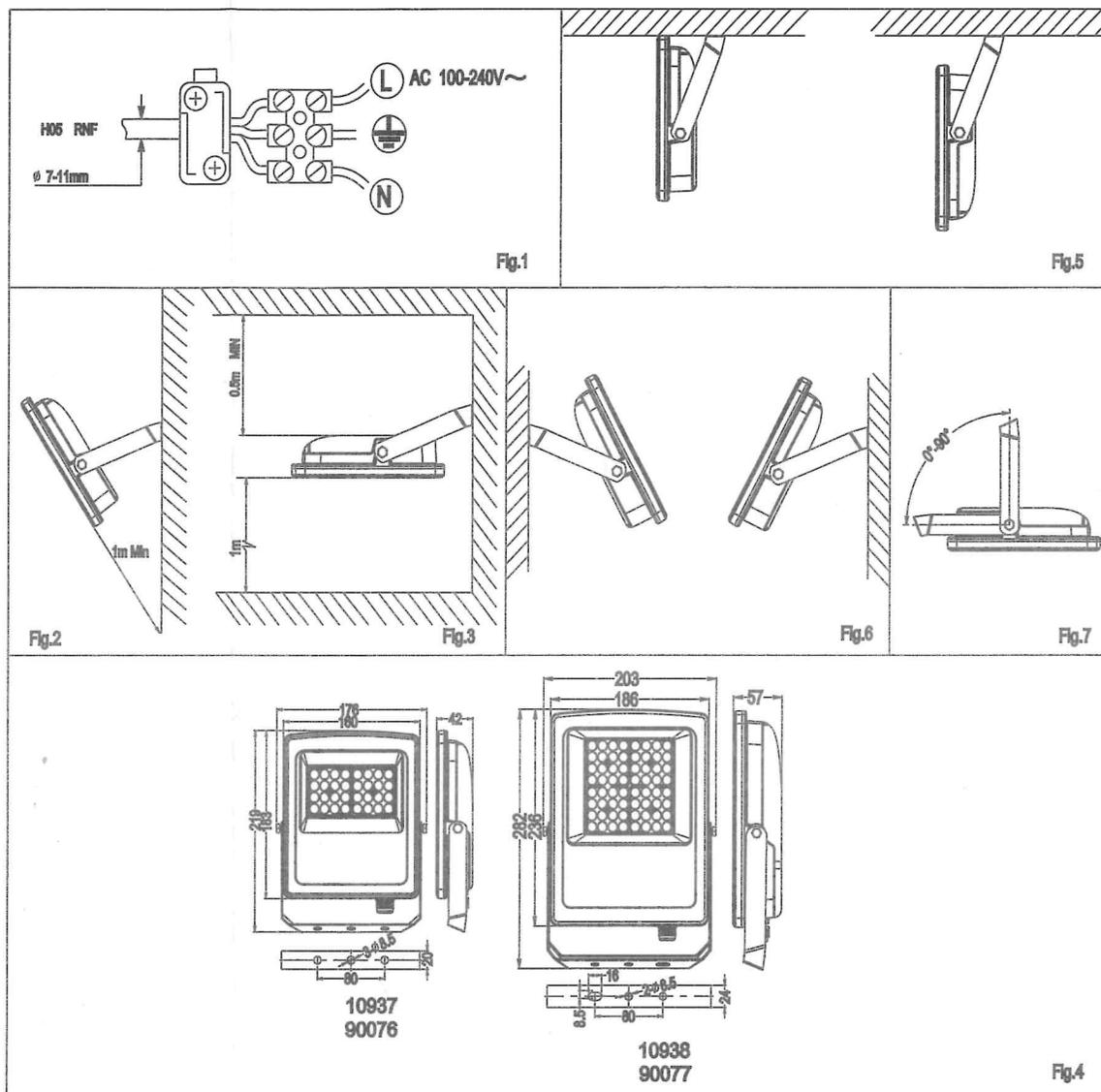


Fig.4