



Installation Instructions: Merit Batten



Read these instructions before installation and retain for future reference. This equipment should be installed by a competent electrician

Important Information

We recommend that luminaires are installed by a qualified electrician ensuring the installation complies with current IEE wiring regulations BS7671:2018 & local building control.

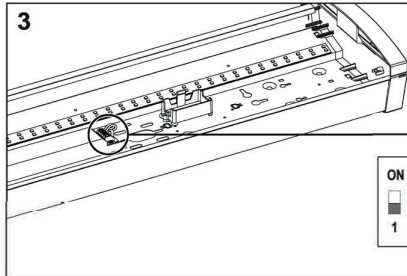
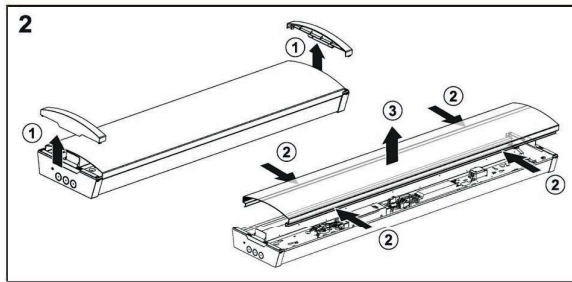
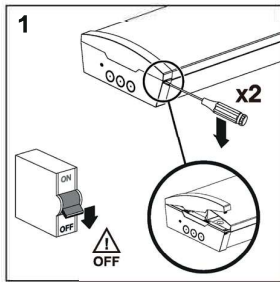
- All tests should be carried out in accordance to EN 50172:2004.
- BELL will not accept responsibility for any claims arising from poor installation.

Important User Advice

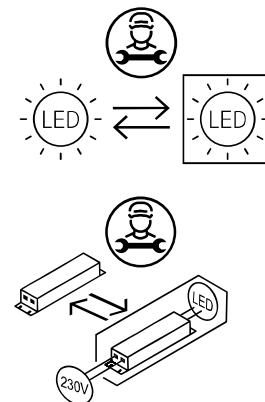
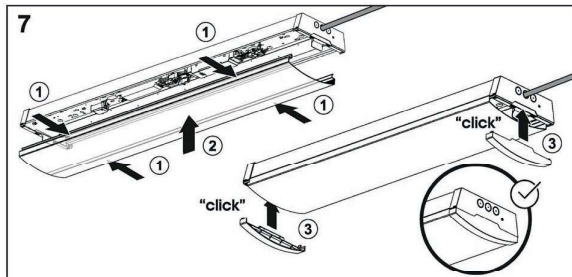
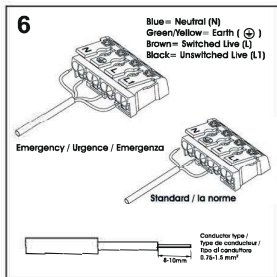
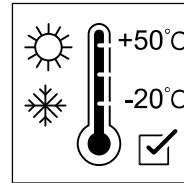
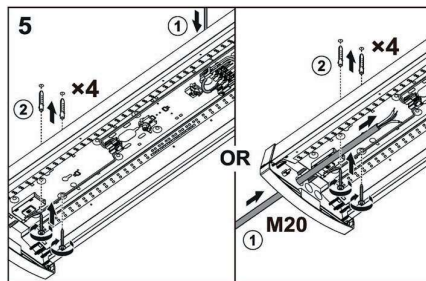
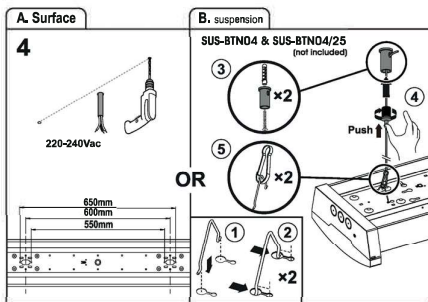
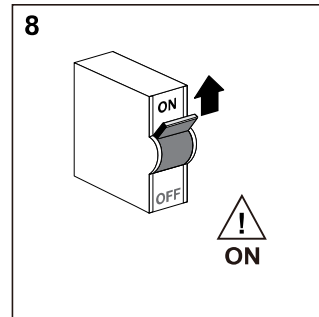
- The ambient room temperature should not exceed 35°C.
- Ensure that there is adequate free air ventilation around the fitting.
- Always switch off mains supply before installing.

This product may contain substances that can be hazardous to the environment if not disposed of properly. Electrical and electronic equipment should never be disposed of with general household waste but must be separated for its correct treatment and recovery.

Where possible recycle your packaging.



Type	Dip Switch			
	1 - OFF 2 - OFF 3 - ON	1 - OFF 2 - ON 3 - OFF	1 - ON 2 - OFF 3 - OFF	1 - OFF 2 - OFF 3 - OFF
4' CCT	21W	27W	33W	38W
4' UGR CCT	17W	20W	25W	30W
5' CCT	30W	38W	45W	53W
5' UGR CCT	30W	35W	45W	47W



Technical Helpline +44 (0)1924 893380

www.belllighting.co.uk

British Electric Lamps Ltd, BELL House, Foxbridge Way
Normanton Ind Est, Normanton, West Yorkshire. WF6 1TN

T: +44 (0)1924 893380 F: +44 (0)1924 894320 E: sales@belllighting.co.uk

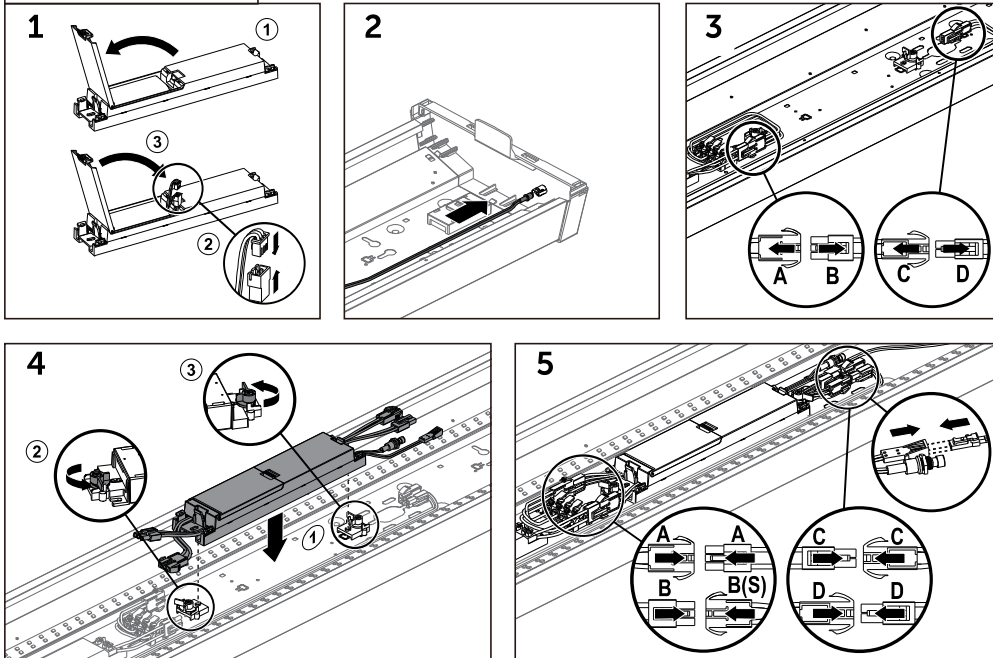


Installation Instructions: Merit Batten

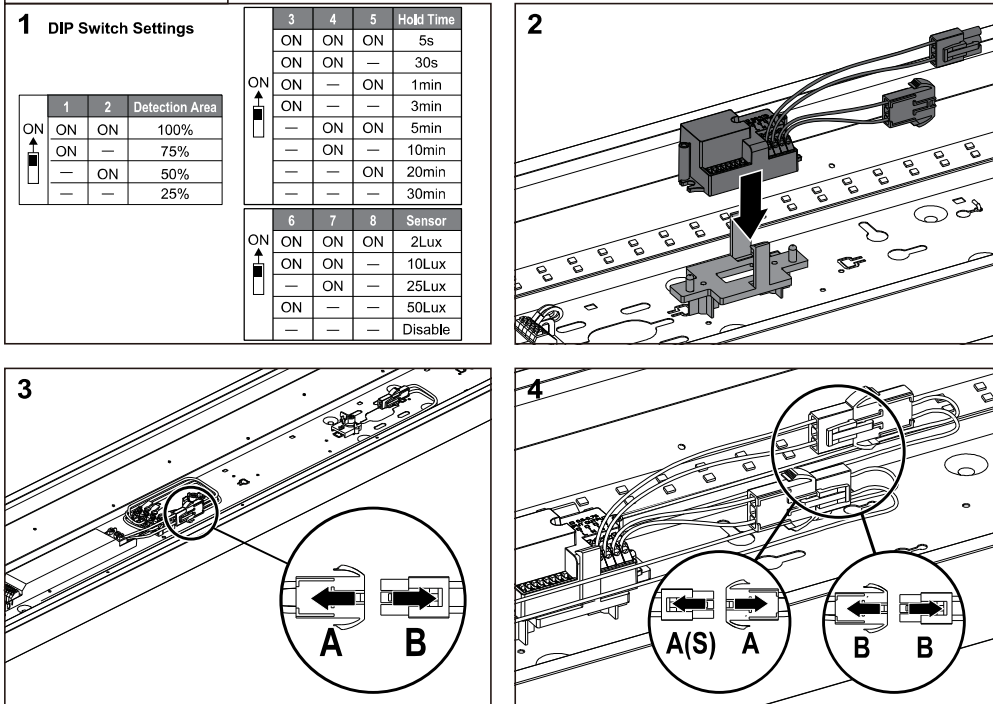


Read these instructions before installation and retain for future reference. This equipment should be installed by a competent electrician

Emergency Pack



Microwave sensor



Technical Helpline +44 (0)1924 893380

www.belllighting.co.uk

British Electric Lamps Ltd, BELL House, Foxbridge Way
Normanton Ind Est, Normanton, West Yorkshire. WF6 1TN

T: +44 (0)1924 893380 F: +44 (0)1924 894320 E: sales@belllighting.co.uk

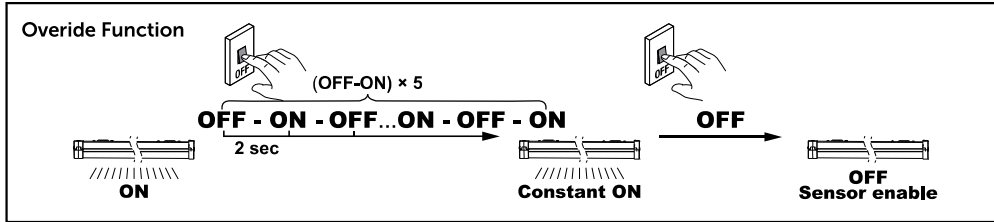


Installation Instructions: Merit Batten

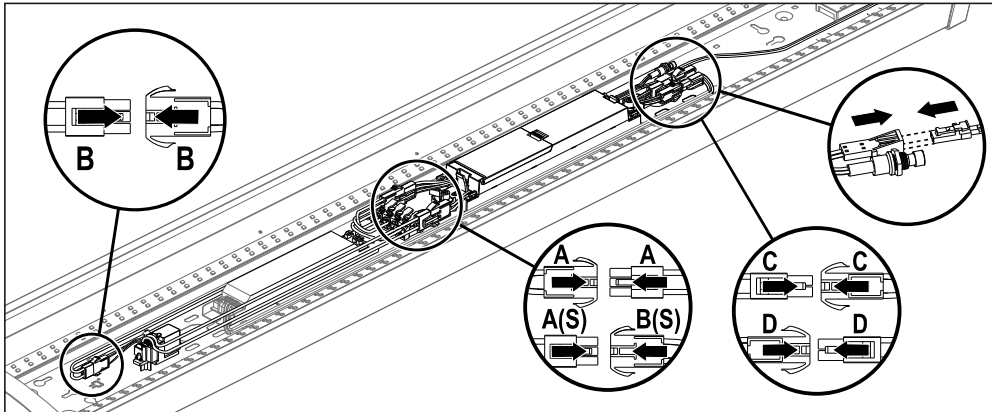


Read these instructions before installation and retain for future reference. This equipment should be installed by a competent electrician

Sensor Factory Settings - Detection Area: 75%, Hold Time: 30secs, Daylight Threshold: Disabled



Connection For Microwave/Emergency Pack



Technical Helpline +44 (0)1924 893380

www.bellighting.co.uk

British Electric Lamps Ltd, BELL House, Foxbridge Way
Normanton Ind Est, Normanton, West Yorkshire. WF6 1TN

T: +44 (0)1924 893380 F: +44 (0)1924 894320 E: sales@bellighting.co.uk