

Electro - Magnetic Locks

SLIMLINE & STANDARD
LOCKING SOLUTIONS

Deedlock has always set the standard for high performance electro-magnetic locks, trusted by installers and door manufacturers globally. The new 2025 range of Slimline & Standard variants builds on our reputation for the highest quality magnet in the industry.

Holding Force: Deedlock magnets are now even stronger with 26% more holding force than our old variant and 50% stronger than our nearest competitors. The magnet holding force is critical for the integrity of any access control system, ensuring that doors are secure even under threat.

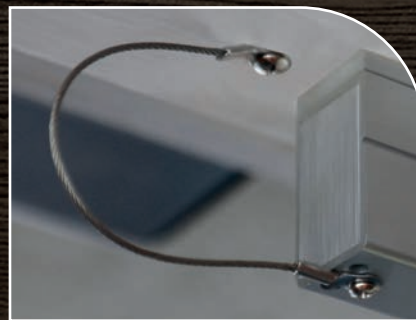
Visual Indication: Providing clear indication of the door status is important in locations such as hospitals and heavy traffic environments, our new L shape indicator provides 180° degree visual indication for easier visual awareness.

Additional Accessories: To improve safety on site, we now offer safety straps for our new slimline & standard electro-magnets. In the event that the magnet should come away from the mounting, the safety straps will ensure the magnet does not fall of the door frame and cause any potential injury.

Improved Aesthetics: Curved edges and a sleeker design provide a more visually appealing electro-magnetic lock.



IMPROVED STATUS INDICATION: 180°



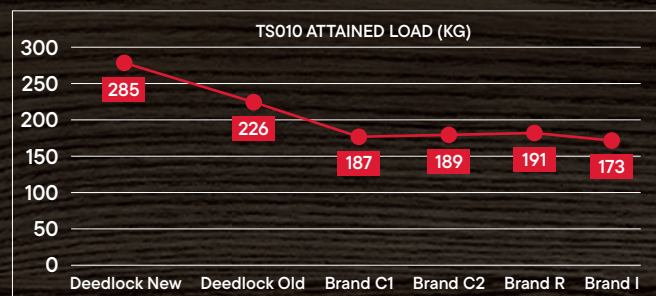
SAFETY STRAPS



IMPROVED AESTHETICS

ELECTRO-MAGNETIC LOCKS: QUALITY V PRICE

PRODUCT	ATTAINED LOAD (KG)
DEEDLOCK NEW	285
DEEDLOCK OLD	226
BRAND C1	187
BRAND C2	189
BRAND R	191
BRAND I	173



Electro-magnetic locks are a common component of any access control system and are available from multiple suppliers and manufacturers at a variety of different cost prices and qualities. In 2022 CQR began our work to benchmark the quality of Electro-Magnets across the industry with a third-party test house. Typically, electro-magnets are often referred to as having 'up to' 600lb (Slimline) & 1200lb (Standard) holding forces but with large variations in cost prices to the installers.

In practical installation, Electro-magnets are often secured with brackets such as a Z&L configuration. Typically, a bracket will reduce the holding force of the magnet on the door by up to 70% due to the flexibility of the bracket. At CQR we performed our third-party testing to the Doors and Hardware Federations technical standard (TS010:2019) for Electro-magnets to verify the actual holding force of the armature plate on the magnet in a practical installation.

The results clearly demonstrated a significant difference in quality of holding force between the different magnets, which is critical to the integrity of your access control system. The new Deedlock range of Electro-magnets are now supported by 26% more holding force than our previous product and a 50% stronger holding force than our nearest competitors ensuring your site is safe and secure.



ELECTRO-MAGNETIC LOCKS - Slimline



Fire resistance performance tested to the criteria of BS EN 1634-1:2014 + A1: 2018, for 30 & 60 minutes

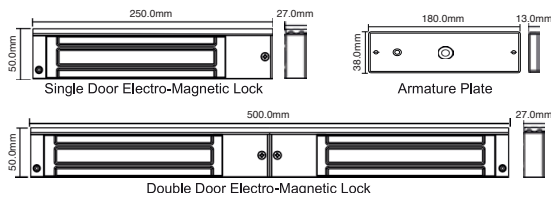


PRODUCT DESCRIPTION

- Deedlock Slimline Electro-Magnetic Locks
- Available in monitored & un-monitored versions
- Available as single & double
- Suitable for medium use traffic applications
- 12/24V DC Self-Regulating
- 5 year warranty
- Optional brackets & accessories available

PRODUCT SPECIFICATION

MAGNET SIZE (MM): SINGLE	L250 X H50 X D27
MAGNET SIZE (MM): DOUBLE	L500 X H50 X D27
ARMATURE SIZE (MM)	L180 X H38 X D13
HOUSING FINISH	Satin Anodised Aluminium
WEIGHT	2.0KG (Single) 4.5KG (Double)
VOLTAGE	12/24V DC Self-Regulating
CURRENT: SINGLE	12v = 500mA (+/-10%) 24v = 250mA (+/-10%)
CURRENT: DOUBLE	12v = 1000mA (+/-10%) 24v = 500mA (+/-10%)
WARRANTY	5 Years
NOMINAL HOLDING FORCE	628lbf (2793N) (285kgf) Per Single Door
TSO10 GRADE	TSO10 Grade 2



PRODUCT CODE (NEW)	PRODUCT CODE (OLD)	PRODUCT DESCRIPTION
AEM20001	AEM10001	Deedlock Slimline Unmonitored Electro-Magnetic Lock
AEM20001/KIT	AEM10001/KIT	Deedlock Slimline Unmonitored Electro-Magnetic Lock & Z&L Bracket Kit
AEM20002	AEM10002	Deedlock Slimline Monitored Electro-Magnetic Lock
AEM20002/KIT	NEW	Deedlock Slimline Monitored Electro-Magnetic Lock & Z&L Bracket Kit
AEM20003	AEM10003	Deedlock Slimline Double Unmonitored Electro-Magnetic Lock
AEM20004	AEM10004	Deedlock Slimline Double Monitored Electro-Magnetic Lock



ELECTRO-MAGNETIC LOCKS - Slimline Accessories

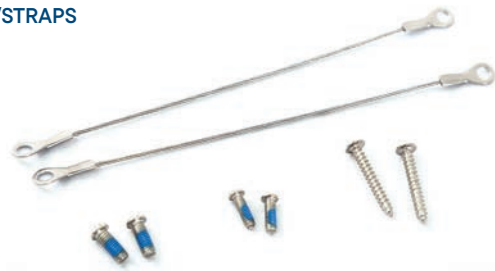
PRODUCT CODE (NEW)	PRODUCT CODE (OLD)	PRODUCT DESCRIPTION
SLM/AH	AEMBR018	Deedlock Slimline Armature Housing
SLM/L	AEMBR008	Deedlock Slimline L Bracket
SLM/ZL	AEMBR089	Deedlock Slimline Z&L Bracket
SLM/L/ARC	AMH590/LA	Deedlock Slimline Architectural L Bracket

PRODUCT CODE (NEW)	PRODUCT CODE (OLD)	PRODUCT DESCRIPTION
SLM/ZL/ARC	AMH590/ZA	Deedlock Slimline Architectural Z&L Bracket
AEM/STRAPS	N/A	Deedlock Safety Straps
SINAEM10	SINAEM1	Single Magnet Intumescent Kit
SINAEM20	SINAEM2	Double Magnet Intumescent Kit

ARMATURE HOUSING
SLM/AH



SAFETY STRAPS
AEM/STRAPS



Z&L BRACKET
SLM/ZL



L BRACKET
SLM/L



ARCHITECTURAL Z&L BRACKET
SLM/ZL/ARC



ARCHITECTURAL L BRACKET
SLM/L/ARC



SINGLE MAGNET INTUMESCENT KIT
SINAEM10



DOUBLE MAGNET INTUMESCENT KIT
SINAEM20



Graphite Sleeves for FD30 & FD60 Timber Doors with Face to Face Electro-Magnetic Locks, must be used where the product is bolted through the door.



ELECTRO-MAGNETIC LOCKS - Standard



Fire resistance performance tested to the criteria of BS EN 1634-1:2014 + A1 : 2018, for 30 & 60 minutes

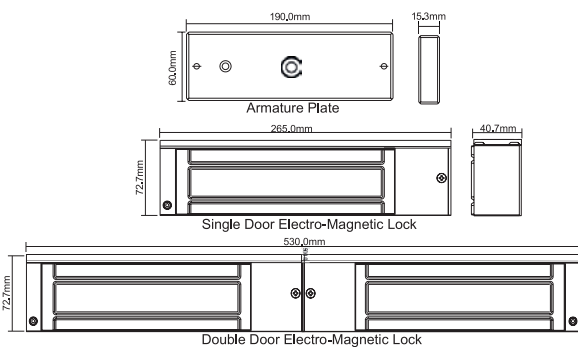


PRODUCT DESCRIPTION

- Deedlock Standard Electro-Magnetic Locks
- Available in monitored & un-monitored versions
- Available as single & double
- Designed for medium to high traffic areas
- Suitable for entry & exit door installs
- 12/24V DC Self-Regulating
- 5 year warranty
- Optional brackets & accessories available

PRODUCT SPECIFICATION

MAGNET SIZE (MM) : SINGLE	L265 X H72.7 X D40.7
MAGNET SIZE (MM) : DOUBLE	L530 X H72.7 X D40.7
ARMATURE SIZE (MM)	L190 X H72.7 X D15.3
HOUSING FINISH	Satin Anodised Aluminium
WEIGHT	4.4KG (Single) 9KG (Double)
VOLTAGE	12/24V DC Self-Regulating
CURRENT : SINGLE	12v = 500mA (+/-10%) 24v = 250mA (+/-10%)
CURRENT : DOUBLE	12v = 1000mA (+/-10%) 24v = 500mA (+/-10%)
WARRANTY	5 Years
NOMINAL HOLDING FORCE	1200 lbf (5337N) (545kgf) Per Single Door
TSO10 GRADE	TSO10 Grade 3



PRODUCT CODE (NEW)	PRODUCT CODE (OLD)	PRODUCT DESCRIPTION
AEM20010	AEM10010	Deedlock Standard Unmonitored Electro-Magnetic Lock
AEM20020	AEM10020	Deedlock Standard Monitored Electro-Magnetic Lock
AEM20060	AEM10060	Deedlock Standard Double Unmonitored Electro-Magnetic Lock
AEM20040	AEM10040	Deedlock Standard Double Monitored Electro-Magnetic Lock



ELECTRO-MAGNETIC LOCKS - Standard Accessories

PRODUCT CODE (NEW)	PRODUCT CODE (OLD)	PRODUCT DESCRIPTION
STD/AH	AEMBR016	Deedlock Standard Armature Housing
STD/L	AEMBR006	Deedlock Standard L Bracket
STD/ZL	AEMBR026	Deedlock Standard Z&L Bracket
STD/L/ARC	AMH595/LA	Deedlock Standard Architectural L Bracket

PRODUCT CODE (NEW)	PRODUCT CODE (OLD)	PRODUCT DESCRIPTION
STD/ZL/ARC	AMH595/ZA	Deedlock Standard Architectural Z&L Bracket
AEM/STRAPS	N/A	Deedlock Safety Straps
SINAEM10	SINAEM1	Single Magnet Intumescent Kit
SINAEM20	SINAEM2	Double Magnet Intumescent Kit

**ARMATURE HOUSING
STD/AH**



**SAFETY STRAPS
AEM/STRAPS**



**Z&L BRACKET
STD/ZL**



**L BRACKET
STD/L**



**ARCHITECTURAL Z&L BRACKET
STD/ZL/ARC**



**ARCHITECTURAL L BRACKET
STD/L/ARC**



**SINGLE MAGNET INTUMESCENT KIT
SINAEM10**



**DOUBLE MAGNET INTUMESCENT KIT
SINAEM20**



Graphite Sleeves for FD30 & FD60 Timber Doors with Face to Face Electro-Magnetic Locks, must be used where the product is bolted through the door.



**CUSTOMER SERVICE/
TECH SUPPORT**

14-16 HOGHTON STREET,
SOUTHPORT, MERSEYSIDE,
PR9 0PA, UK

ACCOUNTS TEAM

110B WALSALL ROAD,
CANNOCK, STAFFORDSHIRE,
WS11 0JB, UK

**MANUFACTURING/
DISTRIBUTION**

125 PASTURE ROAD,
MORETON, WIRRAL,
CH46 4TH, UK

MAIN: +44 (0)151 606 1000

**INFO@CQR.CO.UK
TECH@CQR.CO.UK**

CQR.CO.UK



DISTRIBUTED BY: