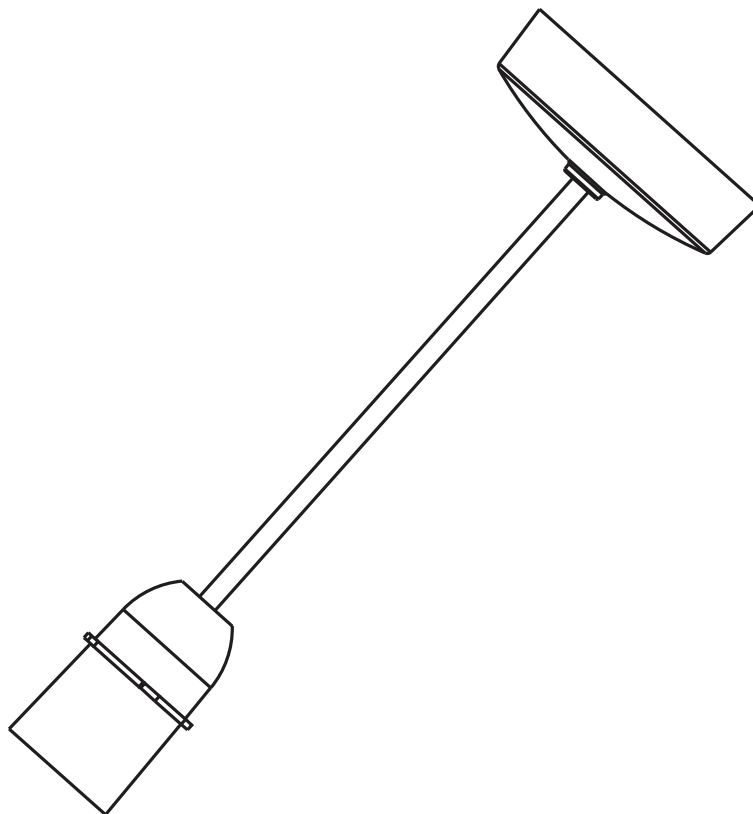


# Instruction Manual

V1



## Kinetic B22 Pendant Kit

CUL 45732, CUL 45733



This product should be disposed of responsibly at the end of its life. Please recycle where facilities exist. Check with your Local Authority or retailer for recycling advice (Waste Electrical and Electronic Equipment Directive)

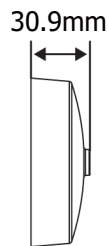
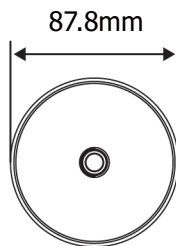
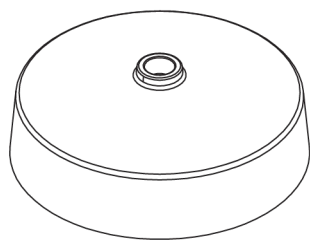


CHL, GORSE MILL, OL9 9RJ  
[www.cascadehl.com/#contact](http://www.cascadehl.com/#contact)

EU Authorised Representative: Authorised Rep Compliance,  
Ground Floor, 71 Lower Baggot Street, Dublin, Ireland,  
D02P593. [www.authorisedrepcompliance.com](http://www.authorisedrepcompliance.com)

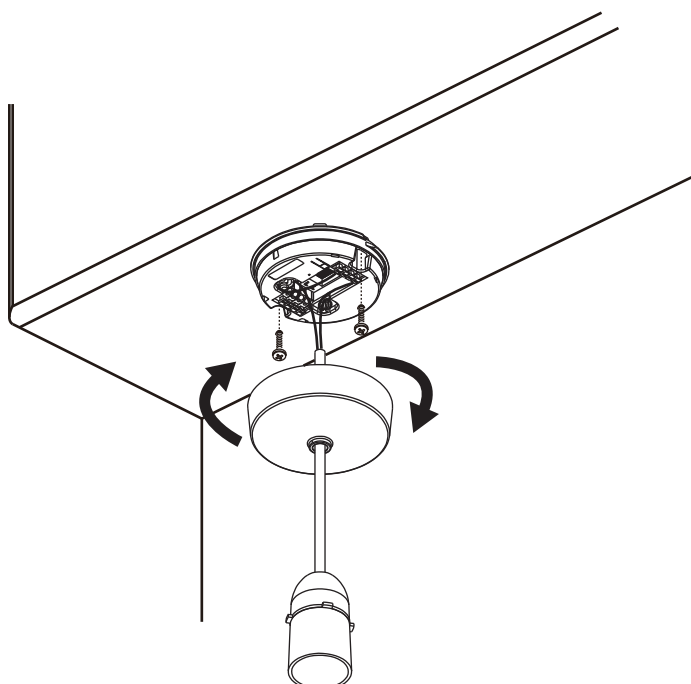
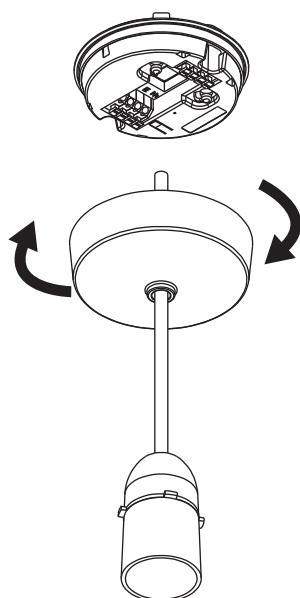


## A. PRODUCT SPECIFICATIONS



PRODUCT CODE	CUL 45732	CUL 45733
INPUT	200-240Vac	
CURRENT	433Mhz for Kinetic Switch & Remote	
SMART PROTOCOL	RF433 Mhz	RF433 Mhz + Tuya WiFi
LAMP	B22 Lamp Holder	
IP RATING	IP20	
TEMP. RANGE	-20 ~ 40°C	
HOUSING TEMP.	Ta: 40°C Tc: 85°C	
LED MAX WATTAGE	200w	
CURRENT RATING	4A Max	
WIRING CLASS	II	
WORKING DISTANCE	60m	

## B. INSTALLATION



# C. WIRING DIAGRAM

L: Live

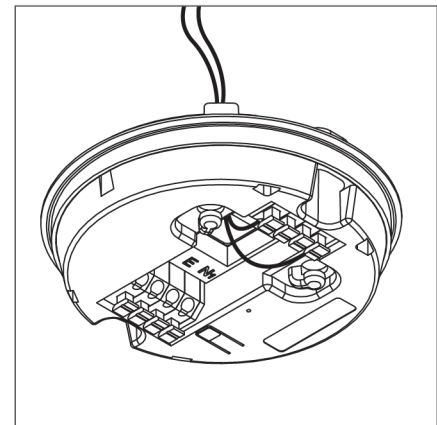
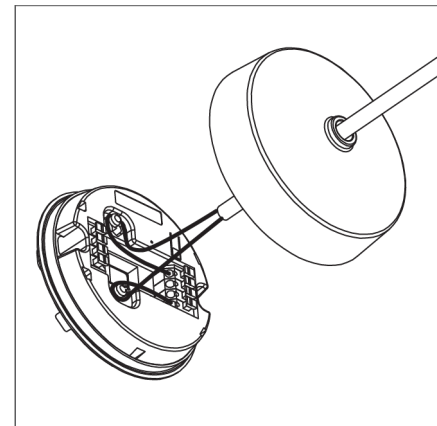
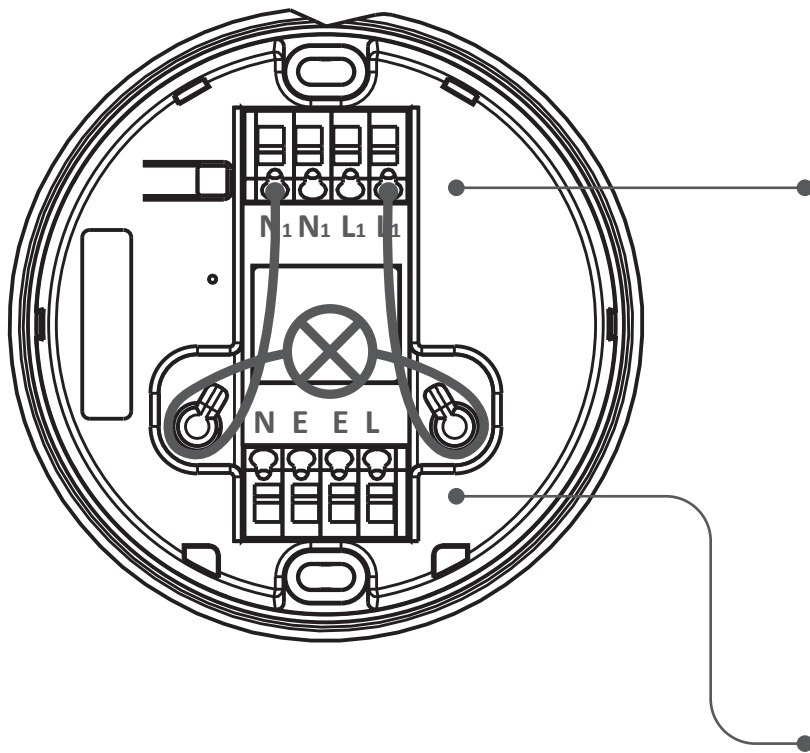
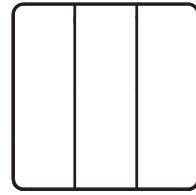
L1: Live Out

N: Neutral

N1: Neutral Out

⏏: Earth

Kinetic Wireless Switch



200-240Vac



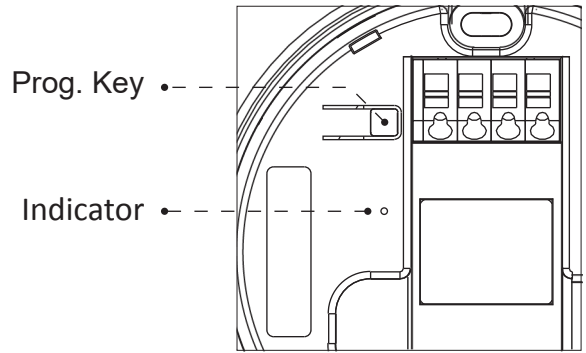
- a. Power must be turn off before installation.
- b. Installation must be carried out by professional electrician.

## D. PAIRING PROCESS OVERVIEW

### Short Press Prog. Key to:

Turn On (Indicator light steady Green Light)

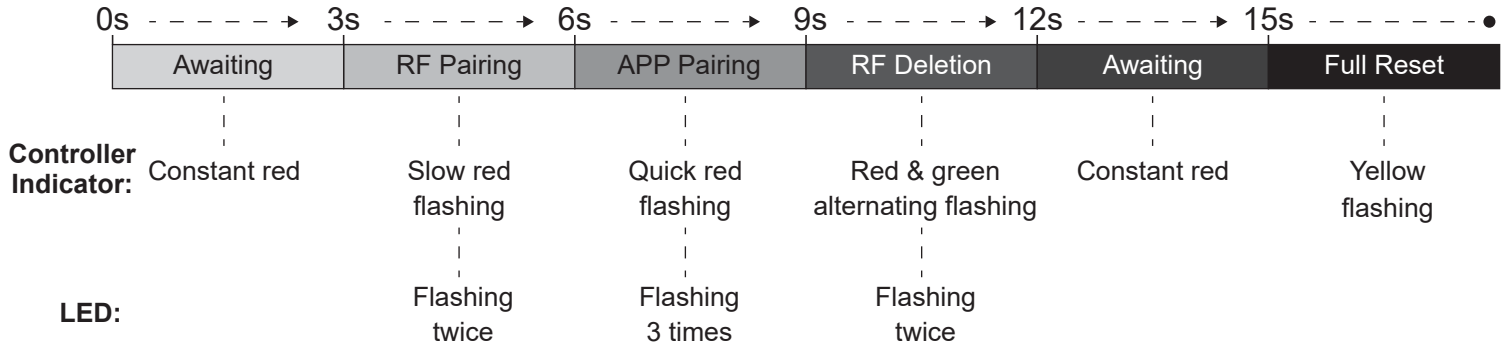
Turn Off (Indicator flashing Green Light)



### Long Press Prog. Key:

Turn on/off Power  
Supply 5 Times or

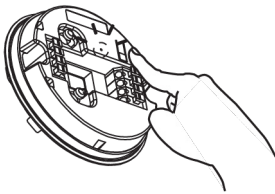
Functions:



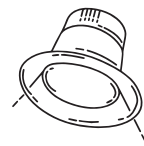
## F. PAIRING with a Kinetic Wireless Switch

### Option 1.

- Press and hold the Prog. Key for **3secs** until the **RED** indicator flashes slowly, and release to enter RF pairing mode (the light will flash **Twice** and stay on).
- While the RED indicator on the controller is flashing slowly, press the Kinetic Wireless Switch **ONCE** to complete the pairing.



Hold on Prog. key over **3secs**  
Indicator: **RED** flashes **slowly**



Light flashes **Twice**  
and stays on

\*If there is no operation within 30 seconds, the LED will blink once and exit the key-pairing mode, entering the normal working mode.

### Option 2. (Pairing method using power supply)

Within 4secs after power is on, the receiver would have a 4secs pairing window. Press the Kinetic Wireless switch key 3 times within 1sec to complete the pairing.

### Option 3. (Pairing method to add additional switch from an existing switch)

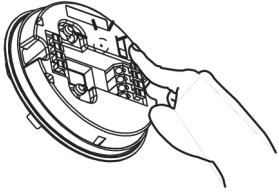
Use a paired switch to turn on the light first, and then quickly press the paired switch key 8 times in 3secs, the light flashes twice, entering pairing mode .

During the pairing mode, press the intended Kinetic Wireless Switch 3 times in 1sec to complete the pairing.

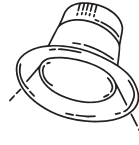
\*If there is no operation within 10 seconds, the LED will blink once and exit the key-pairing mode, entering the normal working mode.

# G. PAIRING - SMART APPLICATIONS

**Option 1.** Press and hold the Prog. Key for **6secs** until the **RED** indicator **flashes quickly** and release to enter App pairing window, the light will flash **3 times** and stay on.



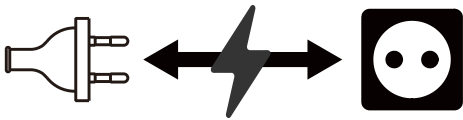
Hold on Prog. key over **6secs**  
Indicator: **RED** flash **quickly**



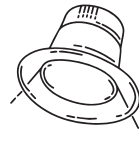
Light flashes **3 times**  
and stays on

\*If there is no operation within 5 minute, the LED will blink once and exit the key-pairing mode, entering the normal working mode.

**Option 2.** Turn On/Off the power supply **5 times** quickly to enter App pairing window, the light will flash **3 times** and stay on.



Turn on/off the power supply **5 times** quickly  
Indicator: **RED** flash **quickly**



Light flashes **3 times**  
and stays on

## App Pairing Preparation (RF only version not compatible with app pairing)

### Requirements:

- a. Strong Wi-Fi Signal cover is important to run this Tuya Wi-Fi receiver.
- b. Only **2.4G** WiFi router compatible.
- c. Download the TUYA app from Google or Apple stores.
- d. Turn on Bluetooth on your smart phone.



2.4G WiFi



Location

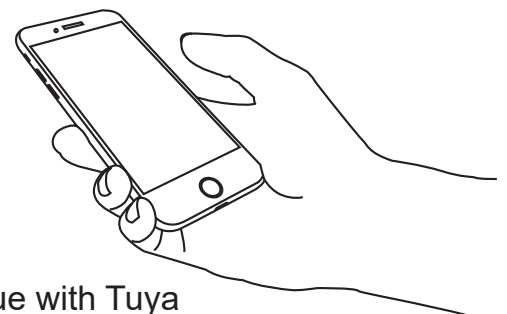


Bluetooth

Download Tuya Smartlife App to process:



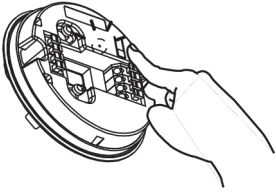
Add the receiver to Tuya App to complete pairing:



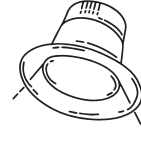
continue with Tuya  
User Manual.....

## H. UNPAIRING Kinetic Wireless Switch

**Option 1:** Press and hold the Prog. Key for **9secs** until the indicator is **flashing alternately between RED and GREEN** and release to enter Kinetic Wireless Switch removing mode (the light will flash **twice** and stay on).



Hold on Prog. over **9secs**  
Indicator: **RED & GREEN**  
alternating flashing



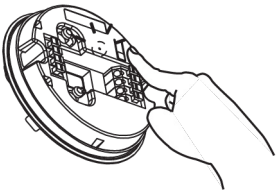
Light flashes **Twice**  
and stays on

**Option 2:** Press the pairing button on a paired Kinetic Wireless switch **8 times within 3secs**, the light flashes **twice**, entering pairing mode. During this time, press the paired Kinetic Wireless Switch **5 times within 2secs** to unpair, the light will be off.

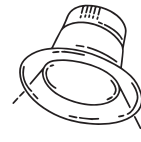
\*If there is no operation within 10 seconds, the LED will blink once and exit the key-pairing mode, entering the normal working mode.

## I. FULL FACTORY RESET

Press and hold the Prog. Key for **15secs** until the indicator flashes **YELLOW** to complete a full factory reset (the light will flash **5 times** and stays on).



Hold on Prog. key over **15secs**  
Indicator: **YELLOW** flashing



Light flashes **5 times**  
and stays on

**\*Note: this will clear all Kinetic Wireless Switches and APP pairings on this controller!**