


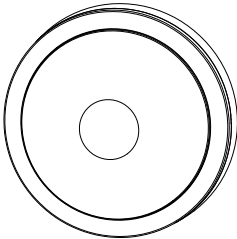
ZINK

ins ZN 46036 - B

12W Integral LED, 900lm, 4000K
Non-replaceable light source. Non-replaceable control gear.
Wiring connected. This product contains a light source of
energy efficiency class < G >

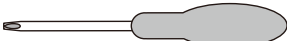
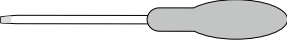
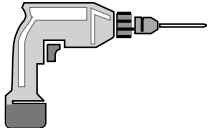
Incl.

A 



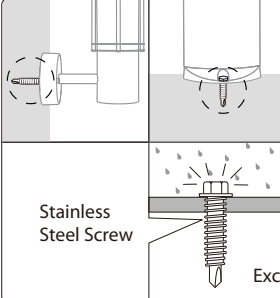
220-240V~
50/60Hz

Excl.



⊖

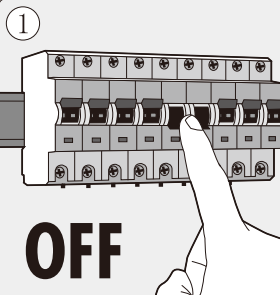
⊕



Stainless
Steel Screw

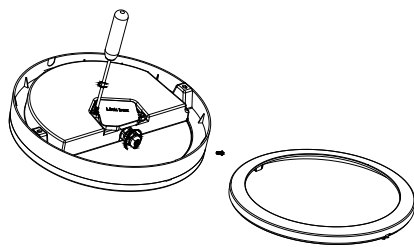
Excl.

①



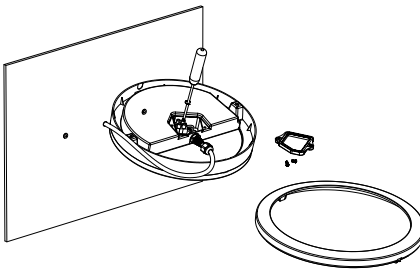
OFF

②



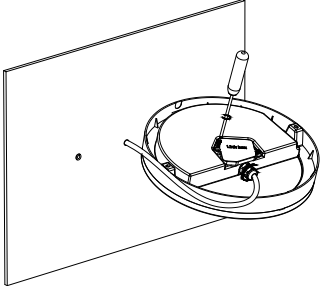
Remove the frame and open the
junction box

③



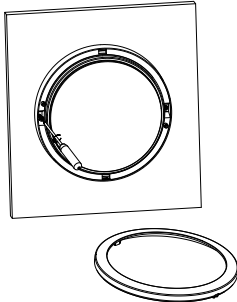
Connect the power cable to the
terminal

④



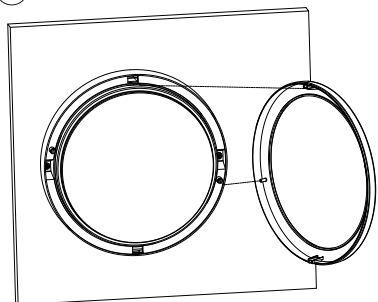
Cover the junction box lock the
screws

⑤



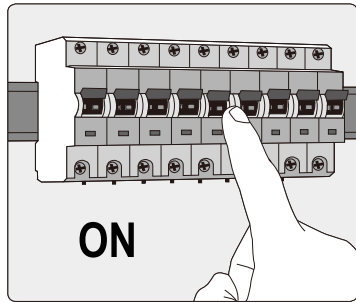
Fix the fixture with screws

⑥



Put the frame back

⑦



ON

Please take time to read this leaflet carefully and retain it for future reference.