

Commercial Linear Suspension kit

Installation instructions



Warnings & Cautions

This kit allows for ceiling mount into concrete using wall plugs. Any damaged parts should be replaced as soon as possible. JCC will not accept responsibility for any claims arising from a sub-standard installation. These products should only be installed by a competent person with sufficient experience to install this product.

INSTALLATION

ENGLISH

4 Wire kit

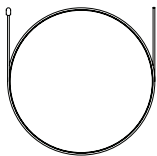
Components



Ceiling Mount x 4



Ceiling Mount cap x 4



1.5m Cable x 4
(Can be trimmed to suit)



Adjustable nut x 4

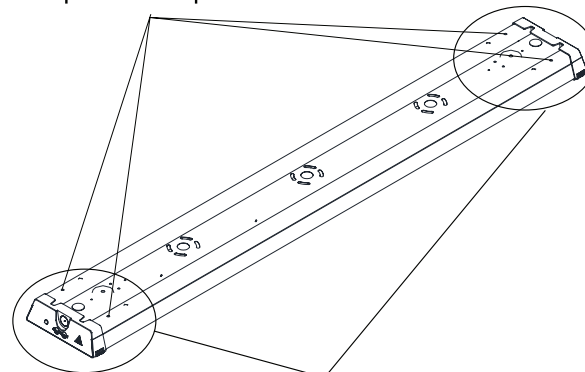


Flat Washer x 4



Locking nut x 4

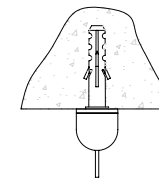
Suspension mount points



Enlarge fixing holes to fit adjustable cable nut to 12mmØ

Ceiling Mounted Suspension

- Drill suitable mounting holes in the ceiling for the wall plugs
- Insert wall plugs and attach the ceiling mounts using screws
- Thread the suspension cable through the hole in the ceiling mounting cap ensuring that the cable nipple is inside the cap
- Screw the cap onto ceiling mount and ensure cable is secure

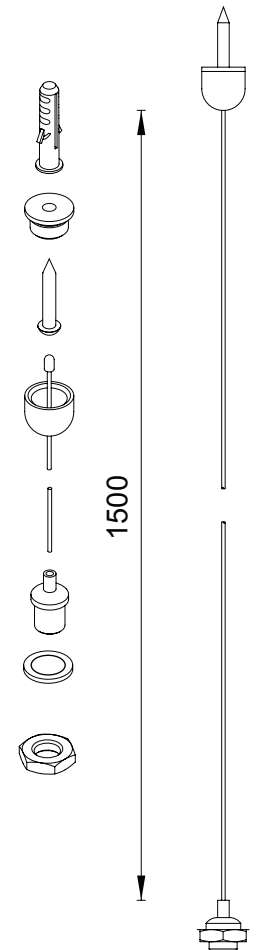


- To fit the mounting points onto the back of the body, you will need to enlarge the holes to fit the adjustable cable nut to approximately 12mmØ
- Insert the adjustable cable nut into the mounting points on the rear of the body
- Secure with the nut by placing on the thread from inside the body
- Feed the other end of the suspension cable through the nipple on the adjustable cable nut until the required height has been attained. The cable moves freely when inserted, but a locking mechanism prevents the cable from slipping out.
- Note: to remove or reverse the direction of the cable, the locking mechanism can be disengaged by pressing the nipple downwards as the cable is pulled.

The cable can be trimmed if necessary.

Profile & Dimensions

All dimensions in millimetres



Important warranty information

This product is supported by a 2-year standard warranty. (See website for terms and conditions).

CE UK RoHS IP20 jcc.co.uk
CA Compliant

BS EN ISO9001 - 2015 - Registered Firm Certificate No. GB 1552
JCC Lighting Products Ltd. Lux Park, Chichester Business Park, City Fields Way, Tangmere, Chichester, West Sussex, PO20 2FT

Technical Support: +44(0)1243 838986 Customer Services: +44(0)1243 838999

V2_April_2024_RS