

# OxfordLED™ Range

Installation instructions for retail spotlights



## WARNINGS AND CAUTIONS

- To avoid electric shock ⚡ or serious injury or property damage, isolate power before installing, removing or servicing the product
- It is recommended that this product is installed by an electrician or a competent person with sufficient experience to install this product
- To be installed in accordance with the local current wiring regulations and standards
- Any broken or damaged parts should be replaced as soon as possible
- JCC will not accept responsibility for claims arising from sub-standard installations; which will void the warranty
- Ensure that you have the tools and accessories required to complete the installation correctly
- The ambient room temperature should not exceed 25°C
- This luminaire is suitable for indoor use only: this product is IP20

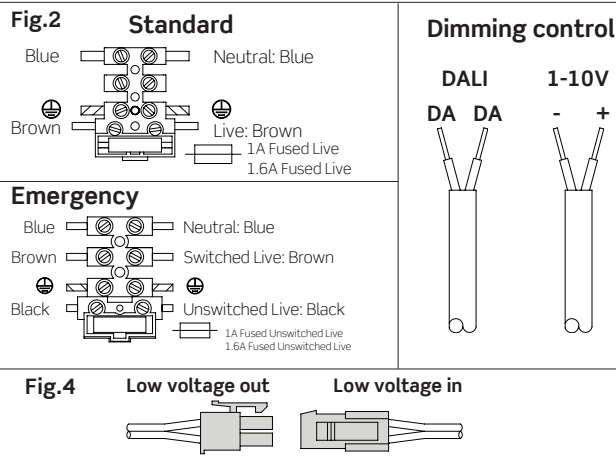
## INSTALLATION INSTRUCTIONS

ENGLISH

Specifications: Ra: 80 (Note: \* denotes EM versions)

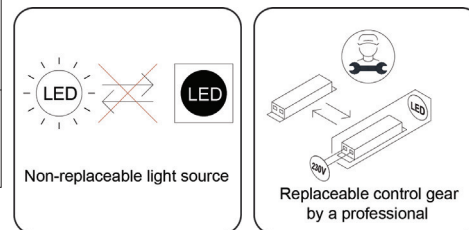
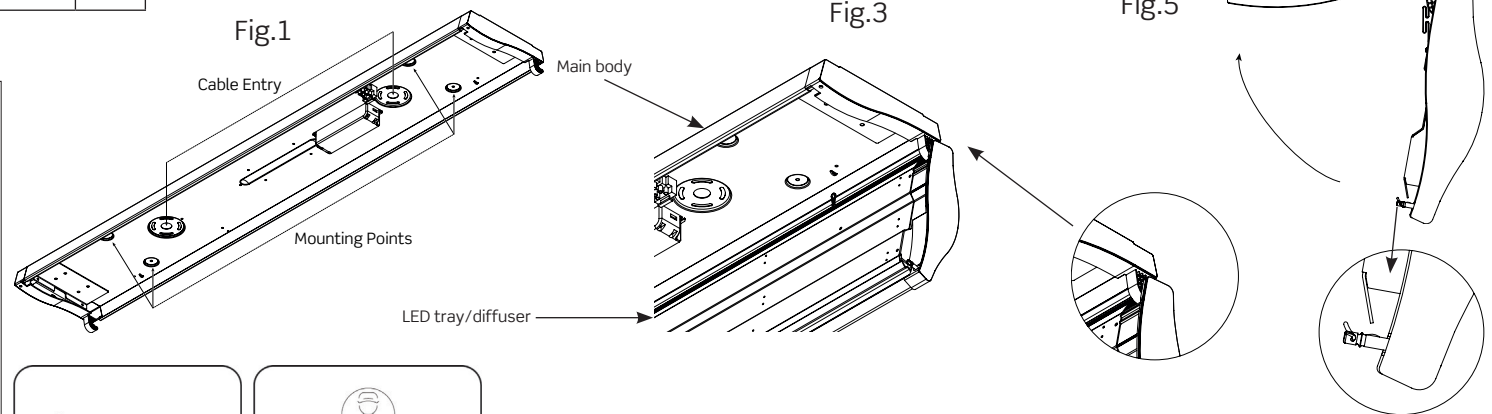
Non dimmable	DALI	1-10V	DALI or 1-10V	Wattage	Lumens	LpcW
JC030001			JC030011	20W	2700	135
JC030002*			JC030012*	22W	2700	123
JC030003			JC030013	40W	4400	110
JC030004*			JC030014*	42W	4400	105
JC030005			JC030015	30W	3500	116
JC030006*			JC030016*	32W	3500	109
JC030007	JC030017	JC030027		60W	6400	107
JC030008*	JC030018*	JC030028*		62W	6400	103
JC030009	JC030019	JC030029		80W	8400	105
JC030010*	JC030020*	JC030030*		82W	8400	102

220-240V~50-60Hz / Class I ⚡  
Class I products must always be earthed



Read instructions and check that you have all of the tools and accessories required to complete the installation correctly. Isolate power supply before starting the installation.

- Unlock security screws and open diffuser, unclip the security cables from LED tray/diffuser.
- Separate the LED tray/diffuser from the main body by unclipping the hinges.
- Using the main body as a template mark and drill mounting holes in the ceiling in a suitable location.
- Feed mains input cable through cable entry on the base of the unit (Fig. 1). Secure luminaire to the ceiling and terminate the mains supply for standard or emergency version as indicated in Fig.2. and connect dimming controls where required.
- Attach the LED tray/diffuser to the security cables on the installed main body. Once supported, clip the hinges back into place as shown in Fig.3.
- Connect the LED tray/diffuser to the low voltage plug & play connector (Fig. 4).
- Connect the earth link lead from the main body to the corresponding earth connection on the main LED tray/diffuser. Rotate up into position and lock into place with the securing screws (Fig.5).
- Turn on power supply and check for correct operation.



You can help protect the environment. Please remember to respect the local regulations: hand in the non-working electrical equipment to an appropriate waste disposal centre. The packaging material is recyclable. Dispose of the packaging in an environmentally friendly manner and make it available for the recyclable material collection service.

## Emergency range routine inspection and test

All tests must be undertaken at times of least risk and in accordance with EN 50172:2004 as indicated below:

Daily: Indicators of central power supply shall be visually inspected for correct operation.

Monthly: (in addition to the daily check) If automatic testing devices are used, the results of the short duration tests shall be recorded. Test shall be carried out as follows:

- a) Switch the luminaire over to emergency mode to operate from the batteries by simulating a failure of supply to the normal lighting for a period sufficient to ensure correct luminaire operation

NOTE: The period of simulation failure should be sufficient for the purpose of this clause whilst minimising damage to the system components e.g lamps. During this period, all luminaires and signs shall be checked to ensure that they are present, clean and functioning correctly. At the end of this test period, the supply to the normal lighting should be restored and any indicator lamp or device should be checked to ensure that is showing that the normal supply has been restored

Annually: If automatic testing devices are used, the results of the short duration tests shall be recorded. For all other systems the monthly inspection shall be carried out and the following additional tests made:

- a) Each luminaire and internally illuminated sign shall be tested monthly as above but for its full duration in accordance with the manufacturer's information.
- b) The normal supply for the luminaire should be restored and any charge indicator lamp or device should be checked to ensure that it shows the normal supply has been restored. The charging arrangements should be checked for proper functioning.
- c) The date of the test and its results shall be recorded in the system logbook.

A copy of this report must accompany any fitting returned to the manufacturer for any reason.

## General Information

Our products are designed to comply with the requirements of UK law and the relevant industry national and international standards and should not be modified in any way. All emergency lighting systems should comply with the recommendations of BS5266-1: Code of Practice for the Emergency Lighting of Premises and be installed by competent engineers in accordance with the relevant wiring regulations. Before installing any type of Emergency Lighting always seek the advice and approval of the local Fire Prevention Officer (or equivalent authority).

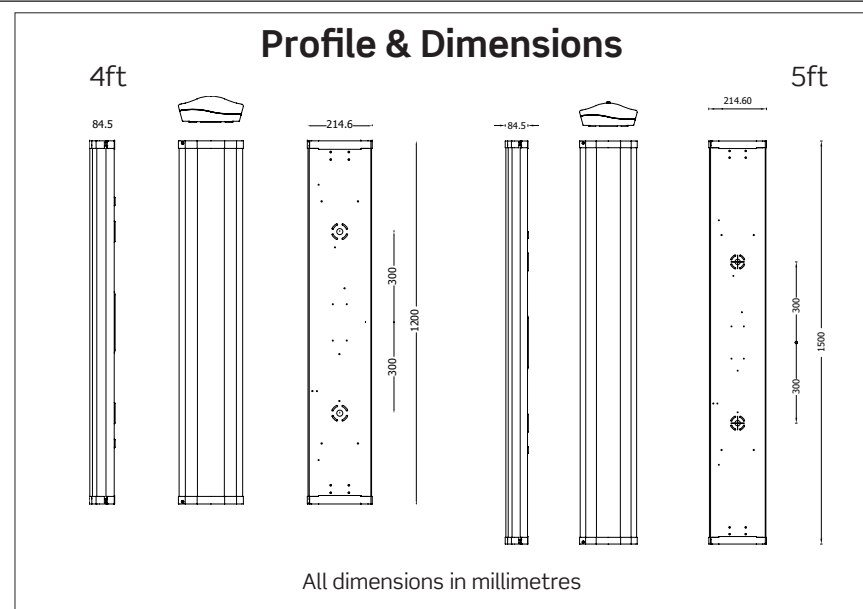
## Maintenance

Failed or faulty light sources connected to this equipment should be replaced immediately. These units are designed especially for a long and trouble free life. Under normal conditions, will require no routine maintenance or service beyond the inspection and test regime of BS5266-1.

Both mains supply and battery protection fusing is incorporated internally. Should access to these or any other part of the circuitry be required this must be undertaken only by suitably qualified person. Special care must be taken when removing the cover to circuitry and battery. Only replacement components authorised by the company must be used. Disposal of replaced components should be in accordance with the component manufacturers instructions.



BS EN ISO9001 - 2015 - Registered Firm Certificate No. GB 1552  
 JCC Lighting Products Ltd. Lux Park, Chichester Business Park, City Fields Way, Tangmere, Chichester, West Sussex, PO20 2FT  
**Technical Support: +44(0)1243 838986 Customer Services: +44(0)1243 838999**



Month	Test Type	First Year		Second Year		Third Year		Fourth Year		Fifth Year	
		Sign	Date	Sign	Date	Sign	Date	Sign	Date	Sign	Date
January	Functional										
February	Functional										
March	Functional										
April	Functional										
May	Functional										
June	Functional										
July	Functional										
August	Functional										
September	Functional										
October	Functional										
November	Functional										
December	3 hour										

## Important warranty information

This product is supported by a 2-year standard warranty which will extend to 5-years if registered within the first year of purchase. (2 year on batteries). Please register at [jcc.co.uk/warranty](http://jcc.co.uk/warranty) (Terms and conditions apply).

The installer will be asked to provide the following information, which is detailed on a label attached to the luminaire's chassis: Product Code/Date Code.