


Nebula™ High Output

Installation instructions for Nebula™ High Output Downlight



Warnings & Cautions

- To avoid electric shock, serious injury or property damage, isolate power before installing, removing or servicing the product.
- It is recommended that luminaires are installed by a qualified electrician to ensure the installation complies with the local current wiring regulations.
- Any broken or damaged parts should be replaced as soon as possible. JCC will not accept responsibility for claims arising from sub-standard installations.
- It is recommended that the ambient room temperature should not exceed 30°C.
- This luminaire is suitable for indoor use only.
- It may be necessary to upgrade your MCBs to allow for increased inrush current.
- For dimming guidelines please go to: jcc.co.uk/dimming.
- DO NOT COVER the fitting with insulation as indicated by this symbol  on the luminaire.
- These products are designed for connection to a mains supply of 200-240V~ 50Hz.

INSTALLATION

ENGLISH

Specification

Ra: 80

Wattage	Colour Temp	Lumens	LpcW
8W	3000K	770	97
8W	4000K	840	105
10W	3000K	990	99
10W	4000K	1000	100
13W	3000K	1250	96
13W	4000K	1270	98

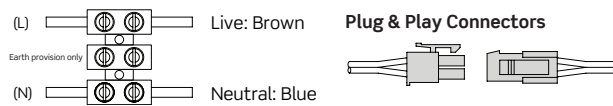
Finishes available: White only

Fig.1 Cut Out Size

8W	10W	13W
Ø68-75MM	Ø90-95MM	Ø90-95MM

200-240V 50Hz / Class II 

Fig.2a Mains Input



Installation

- Cut the mounting hole in the ceiling. (JCC recommends that a sample hole is cut in a section of spare material to familiarize yourself with the process) see Fig.1.
- Connect the mains supply as indicated in Fig.2a & Fig.2b.
- Place fitting into ceiling void (Fig.3).
- Reconnect mains power supply and test for operation.

Fig.2b

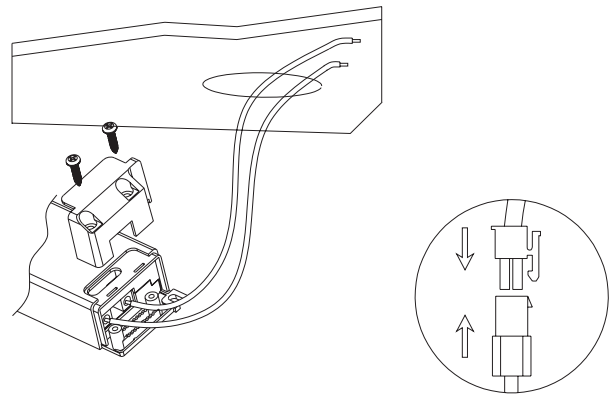
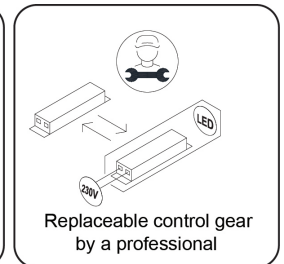
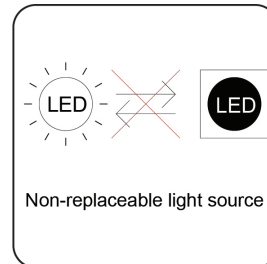
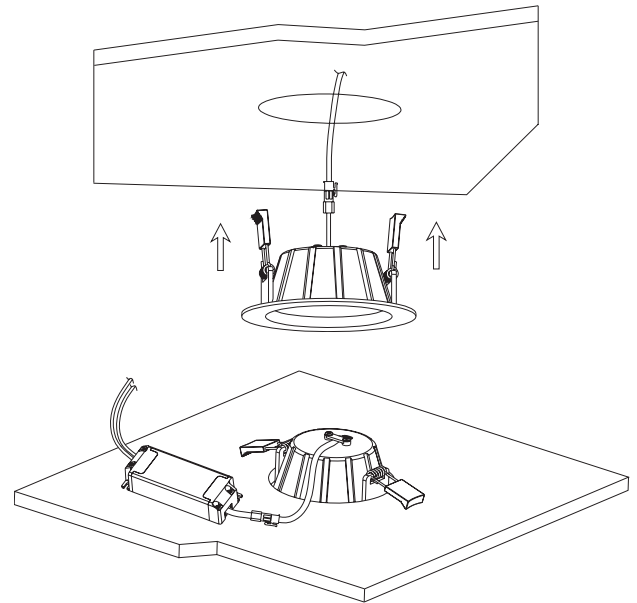


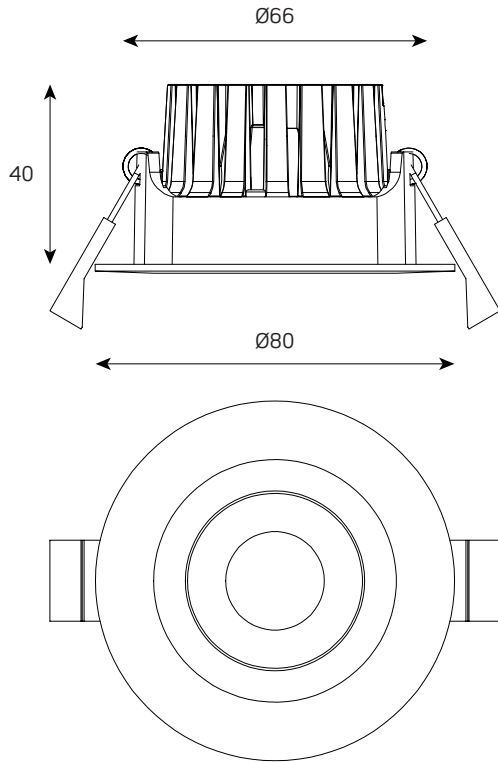
Fig.3



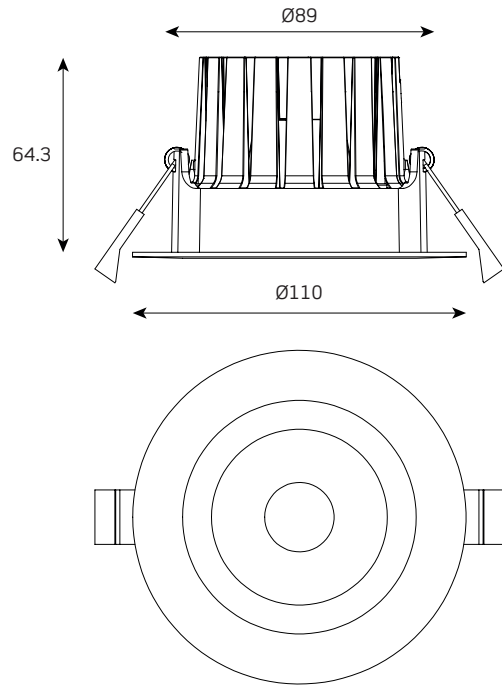
You can help protect the environment. Please remember to respect the local regulations: hand in the non-working electrical equipment to an appropriate waste disposal centre. The packaging material is recyclable. Dispose of the packaging in an environmentally friendly manner and make it available for the recyclable material collection service.

Profile & Dimensions

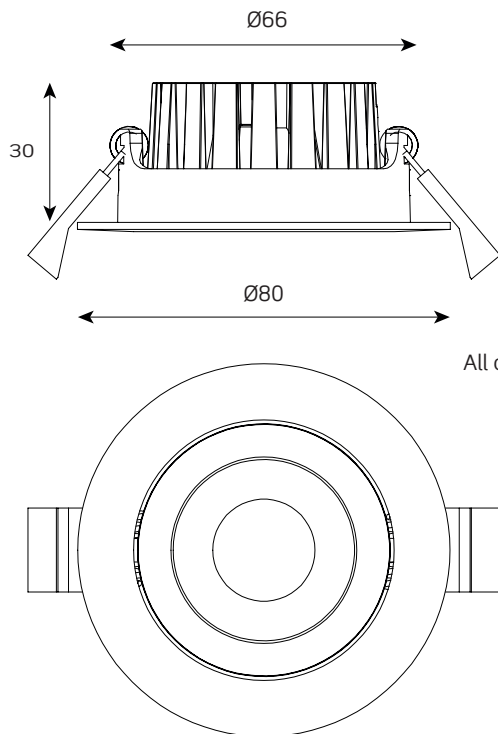
8W Standard



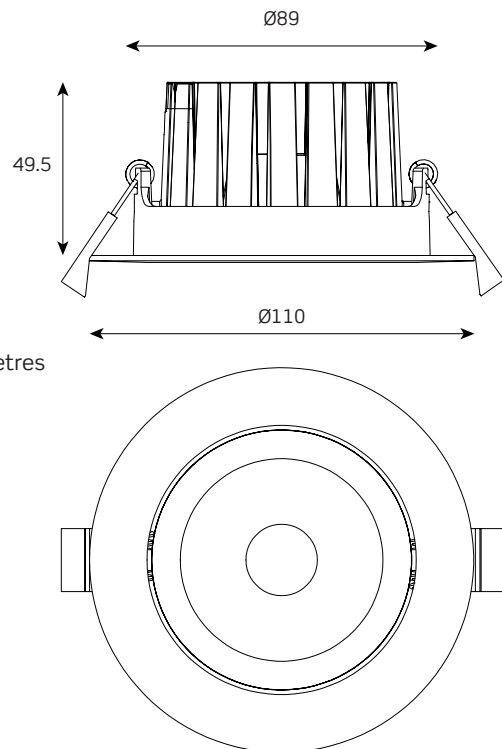
10W & 13W Standard



8W Tilt



10W & 13W Tilt



All dimensions in millimetres

Important warranty information

This product is supported by a 2-year standard warranty which will extend to 5-years if registered within the first year of purchase. Please register at jcc.co.uk/warranty (Terms and conditions apply).

The installer will be asked to provide the following information, which is detailed on a label attached to the luminaire's chassis:
Product Code/Date Code.