

# Surface Mounted Downlight

Installation instructions for Surface mounted downlight

## Warnings & Cautions

- To avoid electric shock, serious injury or property damage, isolate power before installing, removing or servicing the product.
- It is recommended that luminaires are installed by a qualified electrician or competent person and the installation complies with the local current wiring regulations.
- Any broken or damaged parts should be replaced as soon as possible. JCC will not accept responsibility for claims arising from sub-standard installations; which will void the warranty.
- Ensure that you have the tools and accessories required to complete the installation correctly: Isolate the power before starting the installation.
- It may be necessary to upgrade your miniature circuit breakers to allow for increased inrush current.
- This luminaire is suitable for indoor use only.

## INSTALLATION

ENGLISH

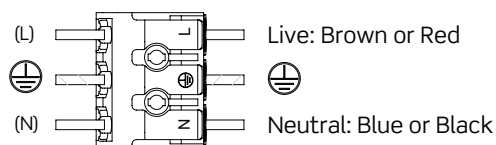
## Specifications Beam angle: 60° Ra: 80

Wattage	4000K Lumens	4000K LpcW	3000K Lumens	3000K LpcW
10W	950	95	800	80
25W	2910	116	2540	102
35W	3720	106	3370	96

Available finishes: Black(BLK) or White(WH)

200-240V 50/60Hz / Class I

Fig 3. Mains input



- Read instructions and check that you have all of the tools and accessories required to complete the installation correctly. Isolate power supply before starting the installation.

## Installation procedure

1. Loosen small screws to remove main body from mounting plate, see Fig 1.
2. Use the mounting plate as a template for fixings. Secure mounting plate to ceiling with fixings supplied (if applying fitting to concrete ceiling also use wall plugs provided for installation) as shown in Fig 2.
3. Connect the mains input as shown in Fig 3.
4. Refit main body to the mounting plate and tighten screws to secure, Fig 4.
5. Turn on supply and test for operation.

Fig 1.

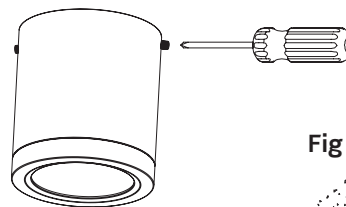
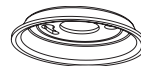


Fig 2.

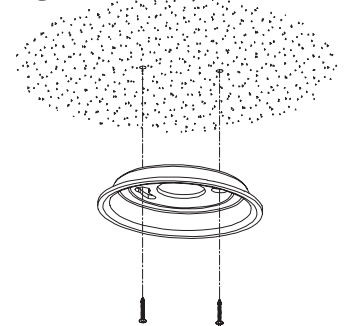
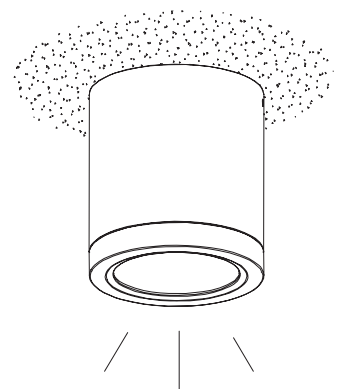
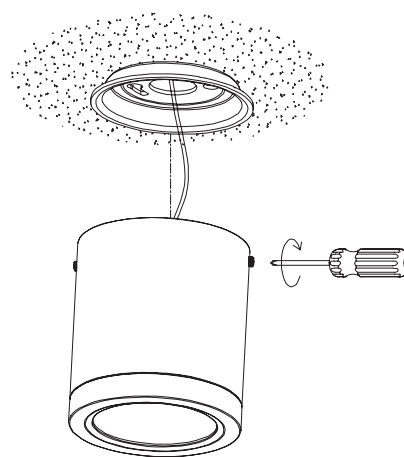
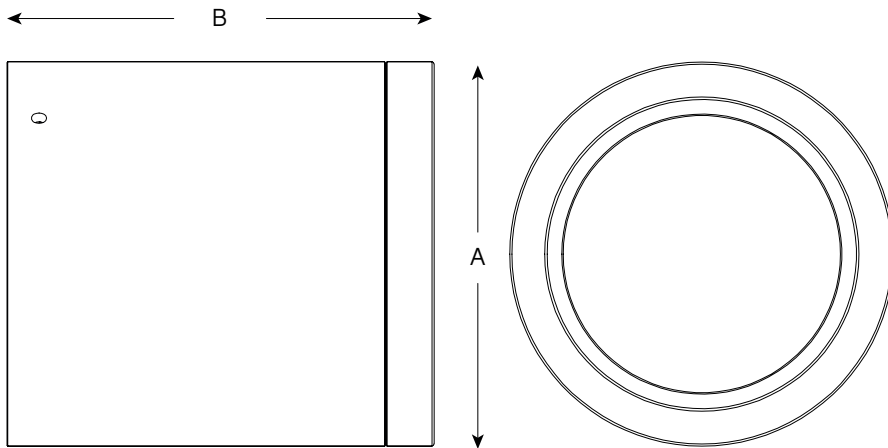


Fig 4.

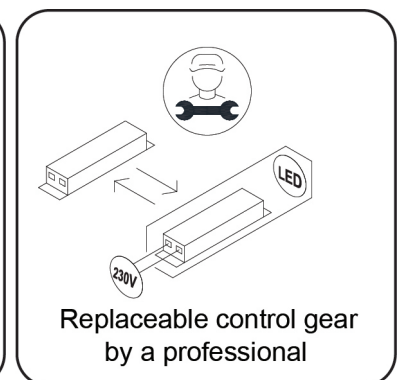
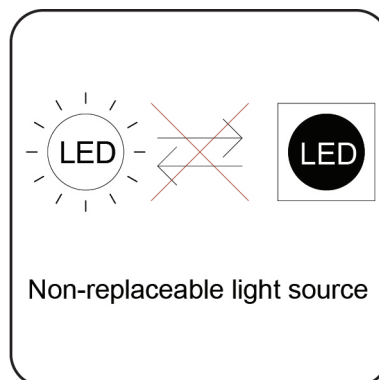


## Profile & Dimensions



Wattage	A	B
10W	Ø90	100
25W	Ø120	110
35W	Ø160	120

All dimensions in millimetres



You can help protect the environment. Please remember to respect the local regulations: hand in the non-working electrical equipment to an appropriate waste disposal centre. The packaging material is recyclable. Dispose of the packaging in an environmentally friendly manner and make it available for the recyclable material collection service.

### Important warranty information

This product is supported by a 2-year standard warranty which will extend to 3 years if registered within the first year of purchase. Please register at [jcc.co.uk/warranty](http://jcc.co.uk/warranty) - Terms and conditions apply.

The installer will be asked to provide the following information, which is detailed on a label attached to the luminaire's chassis:  
Product Code/Date Code.