

Emergency Range

Installation instructions for JC50307 Emergency Surface Downlight

JCC | a **LEVITON** company

Warnings & Cautions

- To avoid electric shock, serious injury or property damage, isolate power before installing, removing or servicing the product.
- It is recommended that luminaires are installed by a qualified electrician to ensure the installation complies with the local current wiring regulations.
- It may be necessary to upgrade your MCBs to allow for increased inrush current.
- This product is designed for connection to a 220-240V~ 50/60Hz supply.
- It is recommended that the ambient room temperature should not exceed 30°C.
- Read instructions and check that you have all of the tools and accessories required to complete the installation correctly. Isolate power supply before starting installation.
- Do not carry out insulation tests with the product connected to the circuit.
- Any broken or damaged parts should be replaced as soon as possible. JCC will not accept responsibility for claims arising from sub-standard installations; which will void the warranty.
- This luminaire is for indoor use only.
- All testing should be carried out in accordance to EN 50172:2004.

INSTALLATION

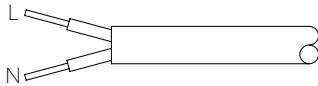
ENGLISH

Total circuit Wattage: 3W
Luminous flux: 103 lumens
Efficiency: 34 LpcW

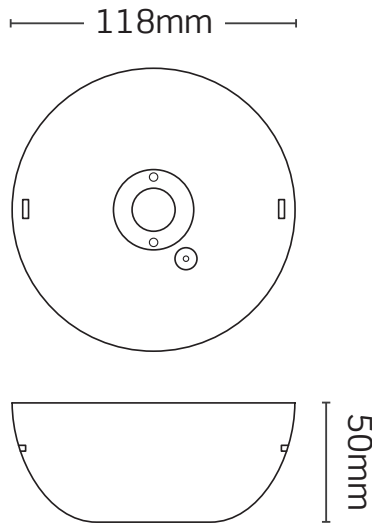
220-240V~ 50/60Hz - Class II 

Fig. 1

Non-Maintained(3NM)
+ Light off 24/7
+ Emergency



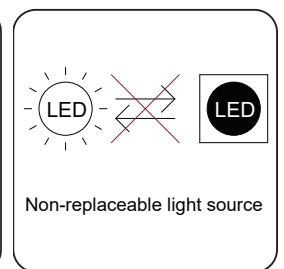
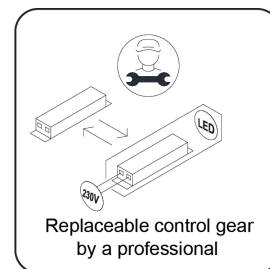
Profile & Dimensions



All dimensions in millimetres

Installation procedure

1. Remove the cover by pressing the two retaining tabs on either side of the cover.
2. Cable entry is through the rear of the base of the fitting, alternative surface cable entry is available on the left hand side of the fitting by removing a small section of the cover, which is clearly marked. (Note: please ensure that if using surface entry, the cable entry is orientated correctly on the left hand side).
3. Use the body as a template for marking the fixing holes and secure to a flat even surface.
4. Connect luminaire to 220-240V~ 50/60Hz supply as shown in Fig. 1.
5. Connect the batteries onto the circuit board (right hand bottom corner).
6. When refitting the cover, ensure that the sprung loaded test button on the cover is aligned with the corresponding button on the circuit board.
7. Switch on mains supply and test for operation (allow 24hrs for batteries to charge).
8. Familiarise yourself with the enclosed emergency fittings test record sheet and ensure it is completed as required and left with the end user.



CE UK RoHS    IP20 **jcc.co.uk**

Important warranty information

This product is supported by a 2-year standard warranty which will extend to 3 years if registered within the first year of purchase. (2 year on batteries). Please register at jcc.co.uk/warranty - Terms and conditions apply.

The installer will be asked to provide the following information, which is detailed on a label attached to the luminaire's chassis:
Product Code/Date Code.

