

Emergency Range

Installation instructions for JC50305 Emergency Twin Spotlight



Warnings & Cautions

- To avoid electric shock, serious injury or property damage, isolate power before installing, removing or servicing the product.
- It is recommended that luminaires are installed by a qualified electrician to ensure the installation complies with the local current wiring regulations.
- It may be necessary to upgrade your MCBs to allow for increased inrush current.
- This product is designed for connection to a 220-240V~ 50/60Hz supply.
- It is recommended that the ambient room temperature should not exceed 30°C.
- Read instructions and check that you have all of the tools and accessories required to complete the installation correctly. Isolate power supply before starting installation.
- Do not carry out insulation tests with the product connected to the circuit.
- Any broken or damaged parts should be replaced as soon as possible. JCC will not accept responsibility for claims arising from sub-standard installations; which will void the warranty.
- This luminaire is for indoor and outdoor use.
- All testing should be carried out in accordance to EN 50172:2004.

INSTALLATION

ENGLISH

220-240V~ 50/60Hz - Class I

Light source: Integral LED
Total circuit Wattage: 2 x 3W
Luminous flux: 470 lumens(total)
Efficacy: 78 LpcW

Non-Maintained(GNM) Blue Neutral: Blue
+ Light off 24/7 U/SW Live: Brown
+ Emergency 1A Fused Live

Installation

1. Remove the four screws holding the front cover to gain access to the interior.
2. Cable entry is available through the rear, please ensure appropriate IP65 grommet or compression coupling is used to maintain IP rating to suit installation requirements.
3. This fitting is suitable for installation in any orientation, but is recommended to be fixed to a flat level surface .
4. Connect the mains input supply as indicated above, this is a non maintained fitting and only illuminates when the mains supply is interrupted.
5. Connect the emergency battery leads to the circuit board where indicated.
6. Replace end cover and secure using the four screws.
7. Switch on mains supply and test for operation (allow 24hrs for batteries to charge).
8. Familiarise yourself with the enclosed emergency fittings test record sheet and ensure it is completed as required and left with the end user.

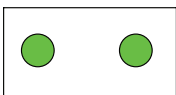
Indicator Light

Green light (LHS)- when lit indicates mains power on/batteries charging.
Green light (LHS)- when off indicates batteries fault/discharging.

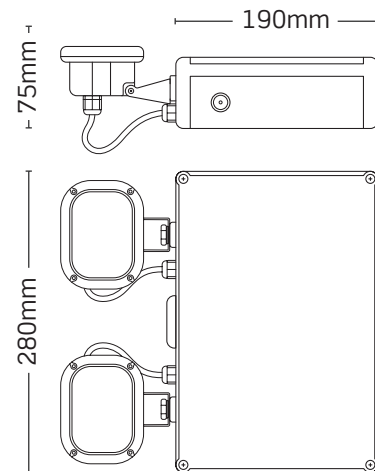
Green light (RHS)- when lit indicates normal operation.
Green light (RHS)- when off indicates lamp/circuit board fault.

Note: when in emergency mode(mains supply interrupted) both lights are off.

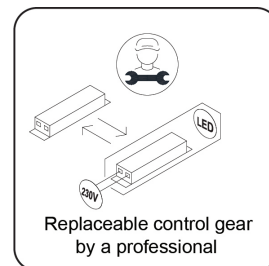
Indicator lights



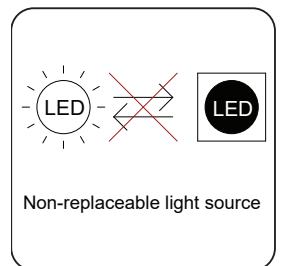
Profile & Dimensions



All dimensions in millimetres



Replaceable control gear by a professional



Non-replaceable light source

CE UK RoHS Compliant IP65 jcc.co.uk

Important warranty information

This product is supported by a 2-year standard warranty which will extend to 3 years if registered within the first year of purchase. (2 year on batteries). Please register at jcc.co.uk/warranty - Terms and conditions apply.

The installer will be asked to provide the following information, which is detailed on a label attached to the luminaire's chassis:
Product Code/Date Code.

BS EN ISO9001 - 2015 - Registered Firm Certificate No. GB 1552
JCC Lighting Products Ltd. Lux Park, Chichester Business Park, City Fields Way, Tangmere, Chichester, West Sussex, PO20 2FT
Technical Support: +44(0)1243 838986 Customer Services: +44(0)1243 838999

V7_Sept_2022_RS

