

Emergency Range

Installation instructions for JC110001 Emergency Bulkhead



Warnings & Cautions

- To avoid electric shock, serious injury or property damage, isolate power before installing, removing or servicing the product.
- It is recommended that luminaires are installed by a qualified electrician to ensure the installation complies with the local current wiring regulations.
- It may be necessary to upgrade your MCBs to allow for increased inrush current.
- This product is designed for connection to a 100-240V~ 50/60Hz.
- It is recommended that the ambient room temperature should not exceed 26°C.
- All testing should be carried out in accordance to EN 50172:2004
- The light source of this luminaire is not replaceable: when the light source reaches the end of its life the whole of the luminaire must be replaced.
- Read instructions and check that you have all of the tools and accessories required to complete the installation correctly. Isolate power supply before starting installation.
- Do not carry out insulation tests with the product connected to the circuit.
- Any broken or damaged parts should be replaced as soon as possible. JCC will not accept responsibility for claims arising from sub-standard installations; which will void the warranty.
- This luminaire is suitable for indoor and outdoor use.

INSTALLATION

ENGLISH

3W 100-240V~ 50/60Hz - Class II

Colour temp: 7000K Ra: 84

Wire preparation: 1-2.5 mm²

Light source: Integral LED

Wattage:3W

Lumens: 120 lumens

KEY:
E: EARTH PROVISION
N: NEUTRAL
L: U/SWITCHED LIVE(in)
L1: U/SWITCHED LIVE(out)
L2: Sw/LIVE

Maintained(3M)
 + on/off Switched
 + Emergency

E		E(provision only)
N		Neutral: Blue
L		U/sw Live(in): Black
L1		U/sw Live: (out)Black
L2		Sw/Live: Brown

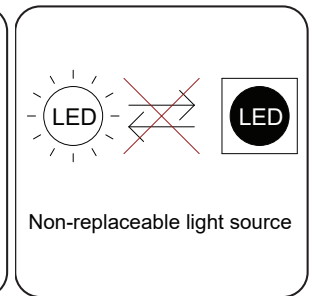
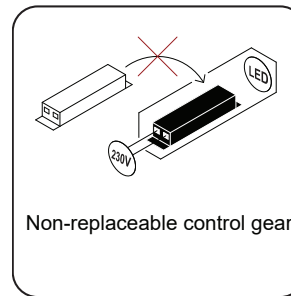
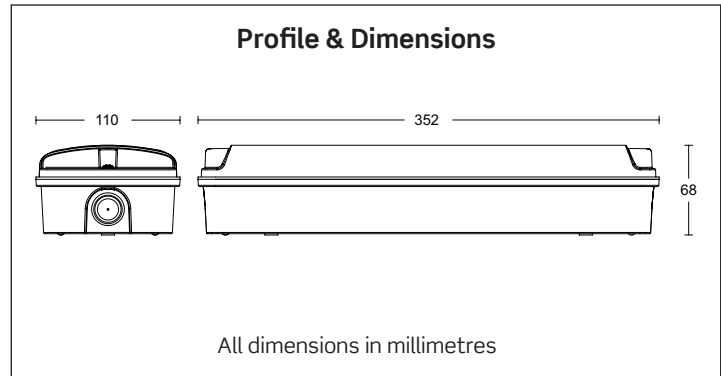
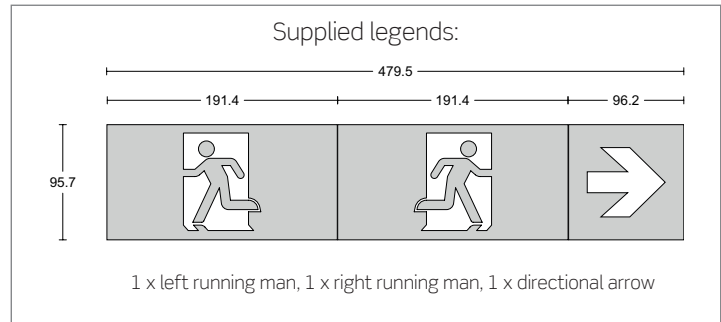
Maintained(3M)
 + Light on 24/7
 + Emergency
 (linked)

E		E(provision only)
N		Neutral: Blue
L		U/sw Live(in): Black
L1		U/sw Live(out): Black
L2		Sw/Live: Brown

Non-Maintained(3NM)
 + Light off 24/7
 + Emergency
 (remove link)

E		E(provision only)
N		Neutral: Blue
L		U/sw Live(in): Black
L1		U/sw Live:(out) Black
L2		Sw/Live: (do not use)

- Remove the two screws holding the diffuser to gain access to the interior.
- Release the LED tray to access the mains input terminal by pressing the quick release tabs. This is hinged so the LED tray remains attached to the body.
- Cable entry is available through rear, top and bottom or both ends. Ensure appropriate grommets or compression couplings are used to maintain the IP65 rating where required.
- Connect the mains input supply as indicated on the above as per the required operation.
- Connect the emergency battery leads to the circuit board where indicated.
- Close the LED tray, ensuring it is secured using the securing tabs.
- Refit the diffuser ensuring there is a good seal to maintain the IP65 rating.
- Switch on mains supply and test for operation(allow 24hrs for batteries to charge). Charging and normal operation is indicated when the green light is on
- Fit the legends on the front of the diffuser to suit the application from the three choices indicated on the right which are included.
- Familiarise yourself with the enclosed emergency fittings test record sheet and ensure it is completed as required and left with the end user.



CE UK RoHS Compliant IP65 jcc.co.uk

Important warranty information

This product is supported by a 2-year standard warranty which will extend to 5 years if registered within the first year of purchase. (5 year on batteries). Please register at jcc.co.uk/warranty - Terms and conditions apply.

The installer will be asked to provide the following information, which is detailed on a label attached to the luminaire's chassis:
 Product Code/Date Code.

