

Emergency Range

Installation instructions for JC110006 Emergency Downlight

JCC | a **LEVITON** company

Warnings & Cautions

- To avoid electric shock, serious injury or property damage, isolate power before installing, removing or servicing the product.
- It is recommended that luminaires are installed by a qualified electrician to ensure the installation complies with the local current wiring regulations.
- It may be necessary to upgrade your MCBs to allow for increased inrush current.
- This product is designed for connection to a 220-240V~ 50/60Hz.
- It is recommended that the ambient room temperature should not exceed 26°C.
- All testing should be carried out in accordance to EN 50172:2004
- The light source of this luminaire is not replaceable: when the light source reaches the end of its life the whole of the luminaire must be replaced.
- Read instructions and check that you have all of the tools and accessories required to complete the installation correctly. Isolate power supply before starting installation.
- Do not carry out insulation tests with the product connected to the circuit.
- Any broken or damaged parts should be replaced as soon as possible. JCC will not accept responsibility for claims arising from sub-standard installations; which will void the warranty.
- This luminaire is for indoor only

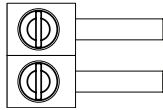
INSTALLATION

ENGLISH

2W 220-240V~ 50/60Hz - Class II
Colour temp: 6000K Ra: 74
Wire preparation: 0.75-1.5 mm²

☐ Light source: Integral LED
Wattage: 2W
Lumens: 158(open area)
Lumens: 123(corridor)

Non-Maintained(3NM)
+ Light off 24/7
+ Emergency



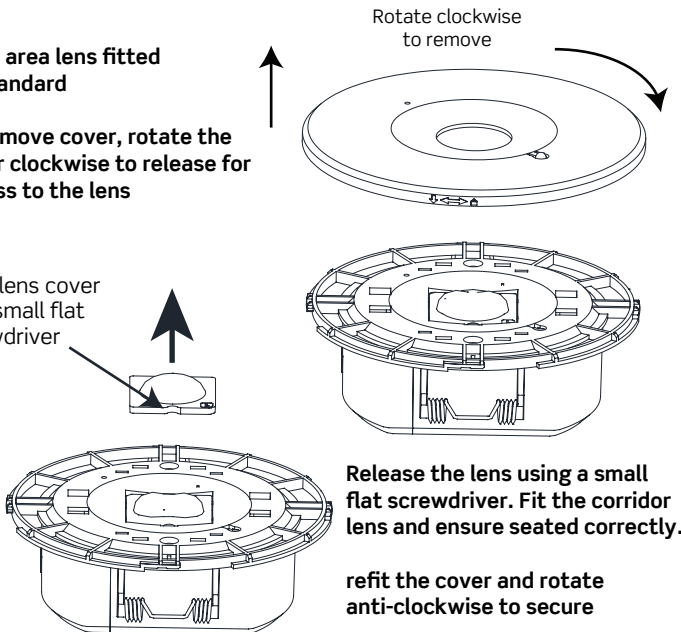
U/sw Live: Brown
Neutral: Blue

1. Cut the mounting hole in the ceiling. (JCC recommends that a sample hole is cut in a section of spare material to familiarize yourself with the process).
2. Connect luminaire to 220-240V~ supply as shown above.
3. Batteries are already connect and do not require any further action prior to commissioning
4. Switch on mains supply and test for operation (allow 24hrs for batteries to charge).
5. Familiarise yourself with the enclosed emergency fittings test record sheet and ensure it is completed as required and left with the end user.

Open area lens fitted as standard

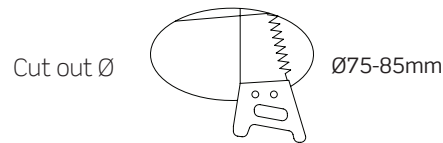
To remove cover, rotate the cover clockwise to release for access to the lens

lever lens cover with small flat screwdriver

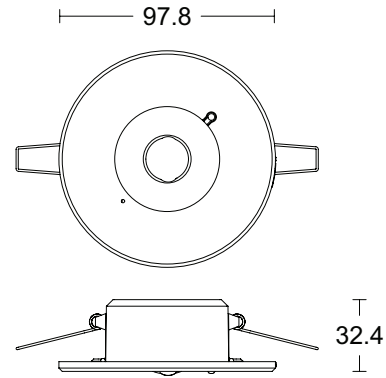


Release the lens using a small flat screwdriver. Fit the corridor lens and ensure seated correctly.

refit the cover and rotate anti-clockwise to secure



Profile & Dimensions

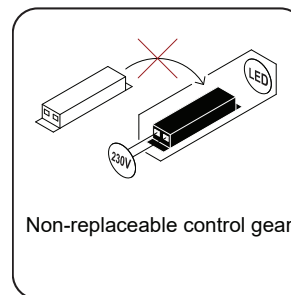


All dimensions in millimetres

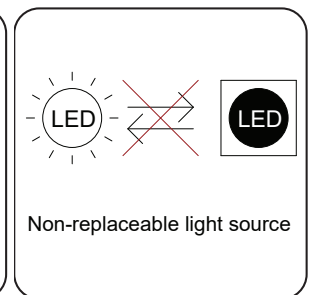
Charge indicator status:

Green light on=charging/normal operation

Green light off= EM status(light on in EM mode) or Battery fault



Non-replaceable control gear



Non-replaceable light source

CE UK RoHS Compliant IP20 jcc.co.uk

Important warranty information

This product is supported by a 2-year standard warranty which will extend to 5 years if registered within the first year of purchase. (5 year on batteries). Please register at jcc.co.uk/warranty - Terms and conditions apply.

The installer will be asked to provide the following information, which is detailed on a label attached to the luminaire's chassis:
Product Code/Date Code.

BS EN ISO9001 - 2015 - Registered Firm Certificate No. GB 1552
JCC Lighting Products Ltd. Lux Park, Chichester Business Park, City Fields Way, Tangmere, Chichester, West Sussex, PO20 2FT
Technical Support: +44(0)1243 838986 Customer Services: +44(0)1243 838999

V2 Dec_2023_RS

