

NiteLED™ Wall Wedge

Installation guide for NiteLED™ Wall Wedge



Warnings & Cautions

- To avoid electric shock, serious injury or property damage, isolate power before installing, removing or servicing the product.
- It is recommended that luminaires are installed by a qualified electrician to ensure the installation complies with the local current wiring regulations.
- These products are designed for connection to a 240V~ 50Hz supply.
- Any broken or damaged parts should be replaced as soon as possible.
- This luminaire is suitable for indoor or outdoor use.
- JCC will not accept responsibility for claims arising from sub-standard installations; which will void the warranty.
- The light source of this luminaire is not replaceable: When the light source reaches the end of its life, the whole of the luminaire must be replaced.
- It may be necessary to upgrade your MCBs to allow for increased inrush current.
- Do not install in areas that are exposed to continual running water or prone to flooding.
- Ensure the fixing surface is flat and even and use fixings supplied.

INSTALLATION

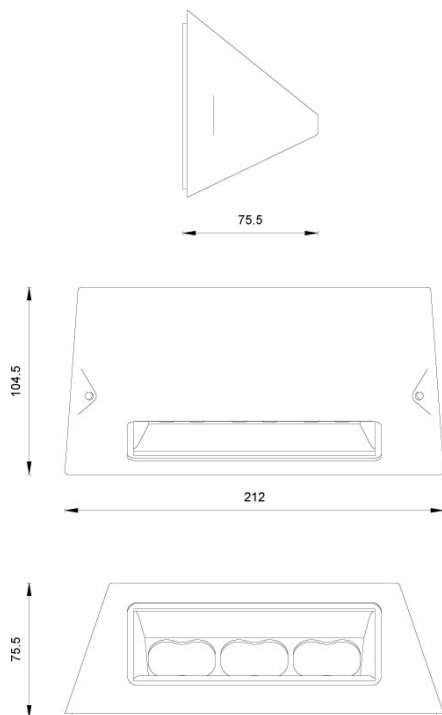
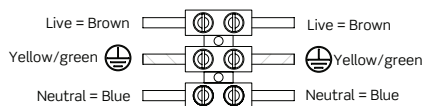
ENGLISH

Total circuit wattage	Lumens	LpcW	Colour temp.	Ra
3W	150	50	4000K	80

Available finishes: Black(BLK) only
Diffuser material: Polycarbonate

240V 50Hz / Class I Ⓢ

Fig. 2



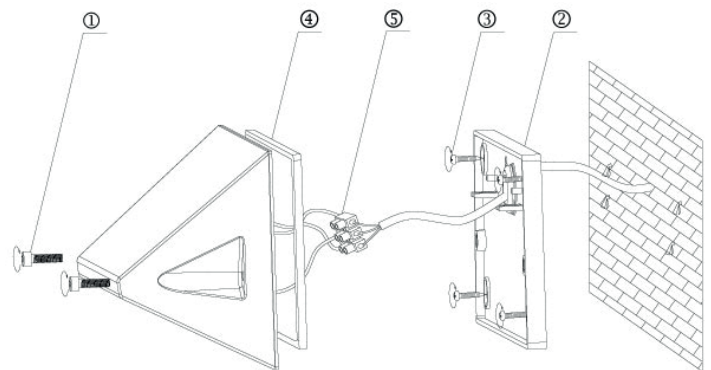
All dimensions in millimetres

- Read instructions and check that you have all of the tools and accessories required to complete the installation correctly. Isolate power supply before starting the installation.

Installation procedure

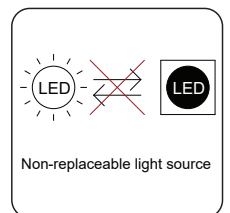
- Remove back box from luminaire by removing screws ① as shown in Fig. 1
- Use back plate ② as a template for drilling holes, ensuring the correct holes are drilled to match the rawl plugs supplied. Fit rawl plugs to surface.
- Insert mains supply cable through the grommet in the back plate, then secure back plate to mounting surface using screws supplied ③, ensuring gasket ④ is fitted to back plate correctly.
- Wire luminaire input ⑤ to the mains supply as per Fig. 2
- Reattach the luminaire to the back box as per step 1.
- Turn on mains supply to test luminaire.

Fig. 1



General Maintenance

JCC recommends that all exterior products, especially those with stainless steel components are cleaned with warm water and dried with a chamois leather or absorbent dry cloth. Weathering, environmental pollution and bird droppings should be cleaned off with a non-abrasive cleaner suitable for the material type. To preserve the finish of the product, clean every two to three months. After installation is complete, then bi-annually, grease or lubricate removable fixings, to help ensure maintenance is trouble free.



CE UK CA RoHS Compliant IP54 jcc.co.uk

Important warranty information

These products are supported by 2 years standard warranty which extends to 3 years when registered within the first year of purchase (See Website for terms and conditions)

The installer will be asked to provide the following information, which is detailed on a label attached to the luminaire's chassis: Product Code/Date Code.

JCC Lighting Products Ltd. Innovation Centre, Beeding Close, Southern Cross Trading Estate, Bognor Regis, West Sussex, PO22 9TS, United Kingdom

Technical Support: +44(0)1243 838986 Customer Services: +44(0)1243 838999

Issue H_Sept_2019_RS