

V50™ Pro Plaster-in

Installation instructions for V50™ Pro Plaster-in JC1020WH only:

- To avoid electric shock, serious injury or property damage, isolate power before installing, removing or servicing the product
- It is recommended that luminaires are installed by a qualified electrician and the installation complies with the local current wiring regulations.
- Any broken or damaged parts should be replaced as soon as possible. JCC will not accept responsibility for claims arising from sub-standard installations.
- It is recommended that the ambient room temperature should not exceed 25°C.
- These products are designed for connection to a mains supply of 220-240V~ 50/60Hz
- Once installed, connector should remain out of arms reach
- It may be necessary to upgrade your MCBs to allow for increased inrush current.
- This fire-rated downlight can be loosely covered with mineral wool insulation
- Do not carry out insulation tests with an LED lamp fitted to this product when connected to the circuit.
- Read the instructions and ensure that you have all of the tools and accessories required to complete the installation correctly.
- Isolate power supply before starting the installation.

INSTALLATION INSTRUCTIONS

ENGLISH

Specification : 6W LED 3000K/4000K CCT selectable (via driver switch).

This product may require the installer to work at height, it is recommended that the Work at Height Regulations 2005 (WAHR) are followed to avoid injury.

Wattage	LpcW	IP
6.2W	107/120	IP65 (front only)

Installation procedure for V50™ Pro Plaster-in:

1. Cut the mounting hole in the ceiling; if you are unfamiliar with this process JCC recommends that a sample hole is cut in a section of spare material.

Fig. 2: Mains input 230 - 240V 50/60Hz / Class II □

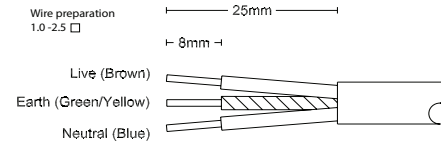
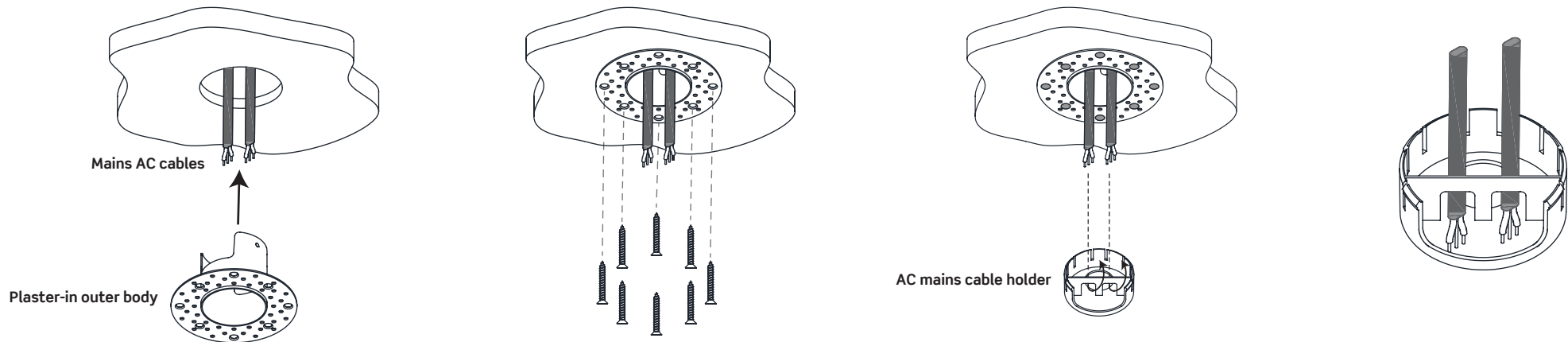
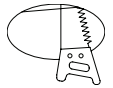
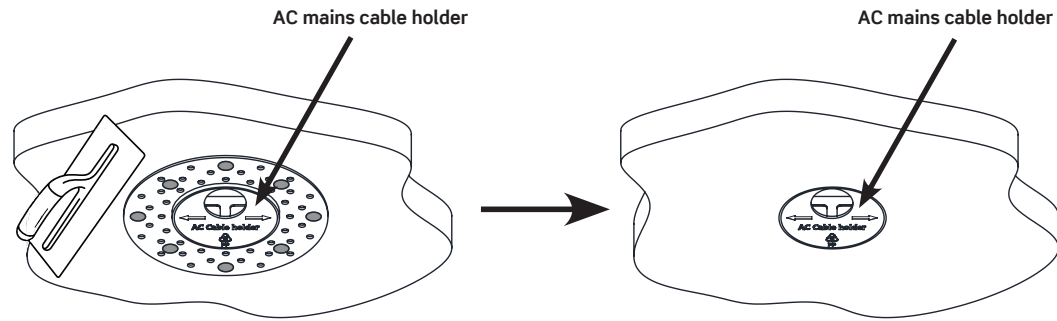


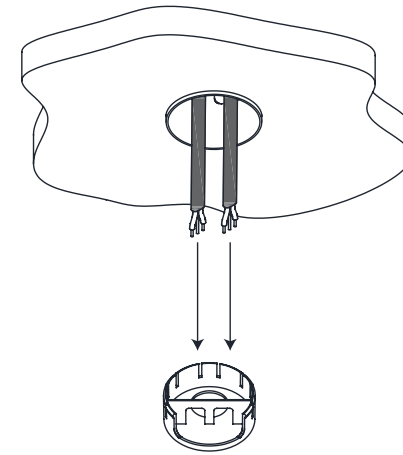
Fig 1.
Cut-out Diameter= Ø68-70mm



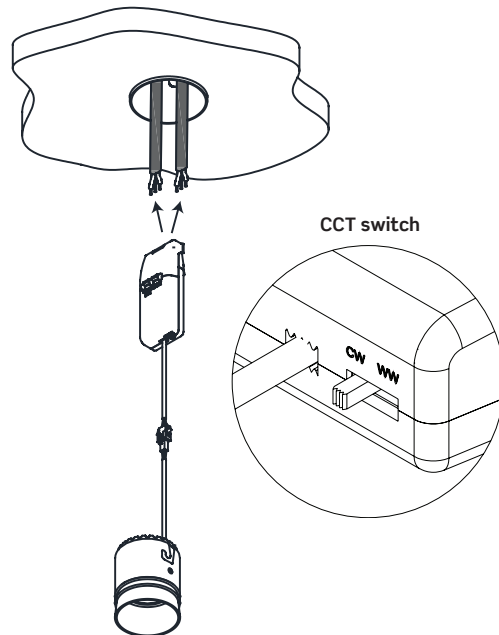
1. Fit plaster-in outer body inside the ceiling cut-out as per dimensions in Fig 1.
2. Insert countersunk plaster-board screws (x8) into holes in plaster-in outer body to secure to plaster board.
3. Feed mains cables through corresponding holes in the AC (mains power) cable holder.
4. Bend cables upward once fed through AC cable holder to lock into place.



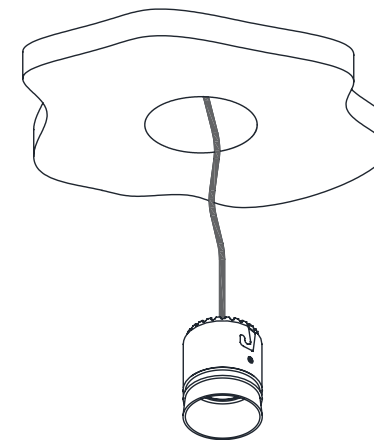
5. Push AC cable holder into the body opening and ensure it is flush with the front then plaster the outer body into the ceiling.



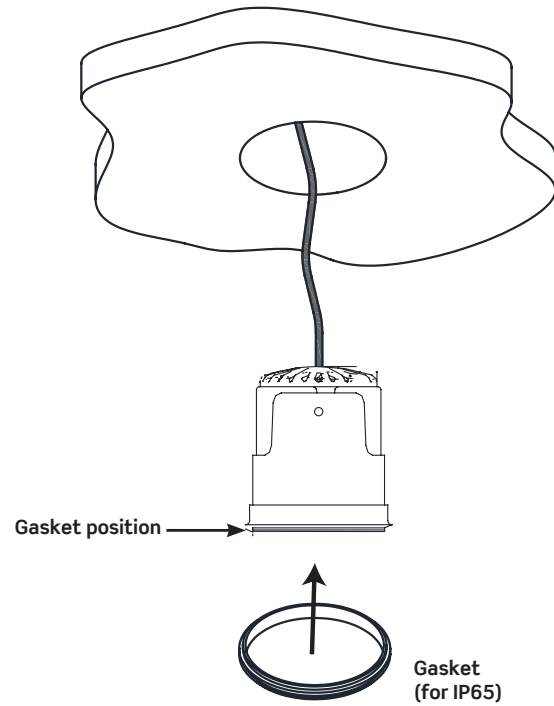
6. Once the plaster has dried remove AC cable holder from the body and separate the cables from the AC cable holder.



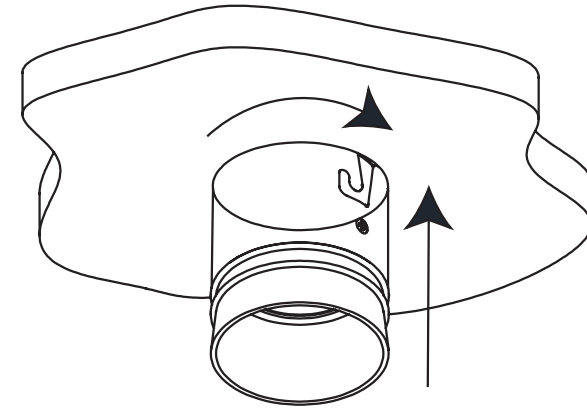
7. Connect driver to corresponding mains cables and select desired CCT using the switch located on the driver.



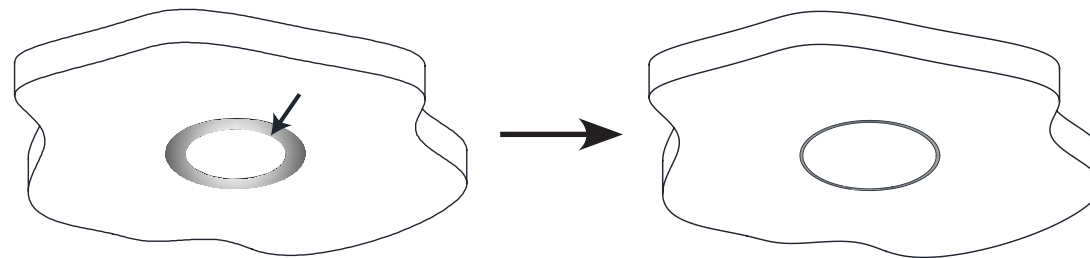
8. Push connected driver and cables into ceiling void.



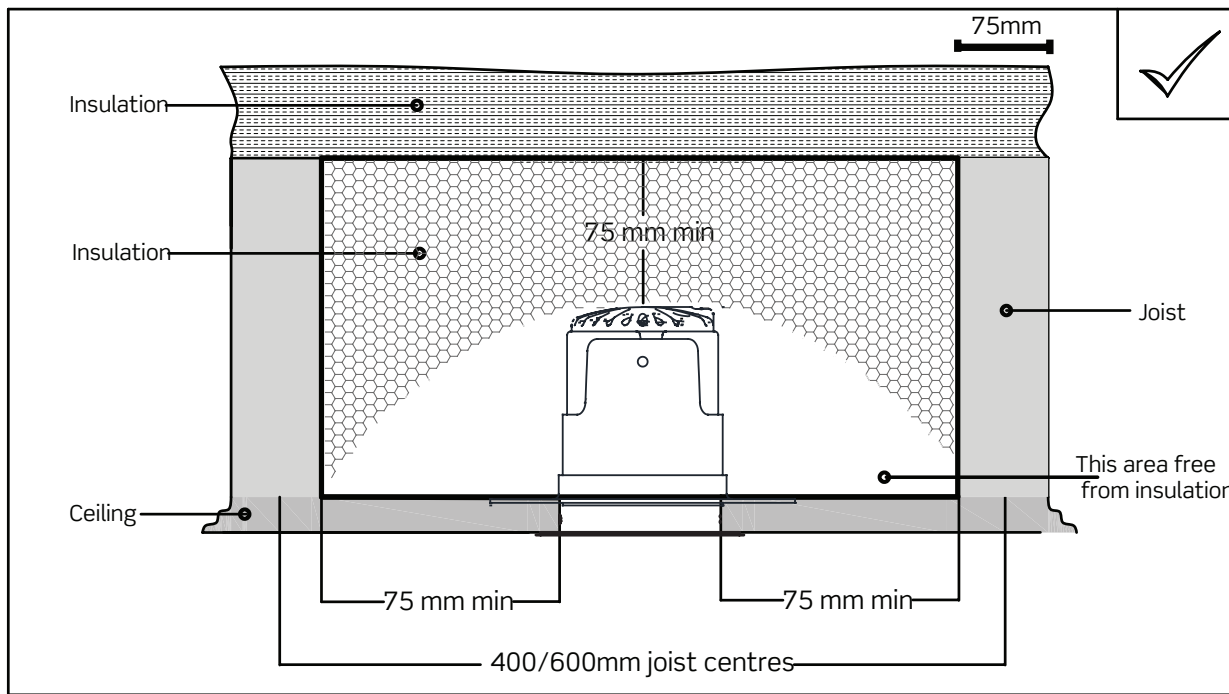
9. Fit gasket to the front the can as shown in the figure above in order to maintain the IP65 rating. (note: not required for IP20 applications outside zone 2).



10. Push the can upwards into the ceiling until it stops and catches on the plaster-in outer body then rotate the can clockwise until it locks.

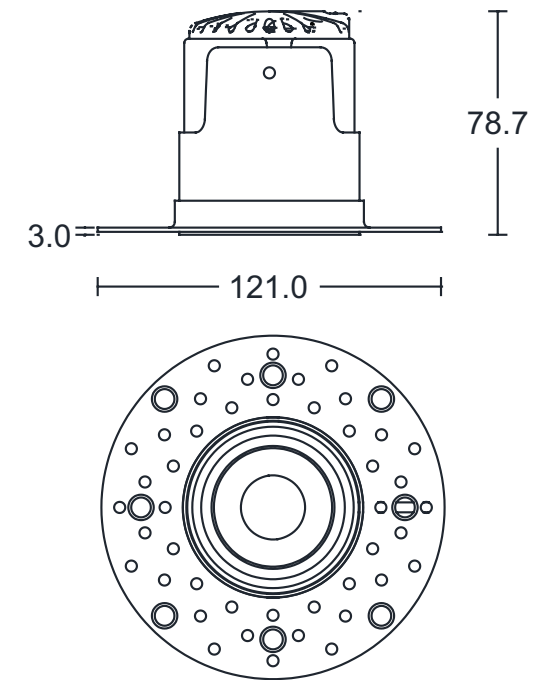


11. Once correctly in position the can will sit flush with the ceiling level.



Profile & Dimensions

All dimensions in millimetres



Part B Fire Safety

The purpose of Part B is to ensure building structures provide adequate protection to personnel to allow the safe evacuation of a building structure/complex. The regulation has been a legal requirement since 1987. All Fire-rated fittings are tested for 30, 60 & 90 minute ceilings (selected I-Joist ceiling construction 30 & 60 minute compliant).

Part L Conservation of Fuel and Power

The 2022 revision to Part L has focused on lighting installations regarding energy conservation. The requirement is that downlights installed in a new or existing domestic dwelling need to be energy efficient and have a minimum efficiency of 75 Lumens per circuit Watt.

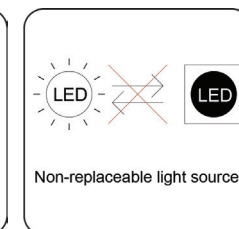
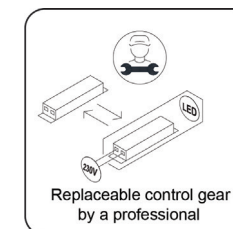
You can help protect the environment. Please remember to respect the local regulations: hand in the non-working electrical equipment to an appropriate waste disposal centre. The packaging material is recyclable. Dispose of the packaging in an environmentally friendly manner and make it available for the recyclable material collection service.

Important warranty information

This product is supported by a 2-year standard warranty which will extend to 3 years for commercial applications and 5 years for domestic applications if registered within the first year of purchase. Please register at jcc.co.uk/warranty (Terms and conditions apply).

The installer will be asked to provide the following information, which is detailed on a label attached to the luminaire's chassis:

Product Code/Date Code.



The light source of this luminaire is not replaceable; when the light source reaches its end of life the luminaire shall be replaced, utilising the existing driver.



BS EN ISO9001 - 2015 - Registered Firm Certificate No. GB 1552
JCC Lighting Products Ltd. Lux Park, Chichester Business Park, City Fields Way, Tangmere, Chichester, West Sussex, PO20 2FT

Technical Support: +44(0)1243 838986 Customer Services: +44(0)1243 838999

jcc.co.uk

V2_July_2024_TB