

V50™ Converter plate

Installation guide for V50™ Converter plate

INSTALLATION

ENGLISH

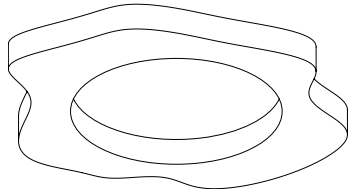
Specification : JC1003-Standard/JC1004- Tilt

Finishes: Brushed Nickel (BN), Chrome (CH), White (WH)
Brushed Brass (BR), Black (BLK)

- Read the instructions and ensure that you have all of the tools and accessories required to complete the installation correctly.
- Isolate power supply before starting the installation.

Installation Procedure for Standard & Tilt

1. This converter plate is used to cover an existing hole in the ceiling from a minimum of Ø80mm to a maximum of Ø120mm.



2. Insert back plate into ceiling pushing clips upwards as shown in Fig 1.

Fig 1.

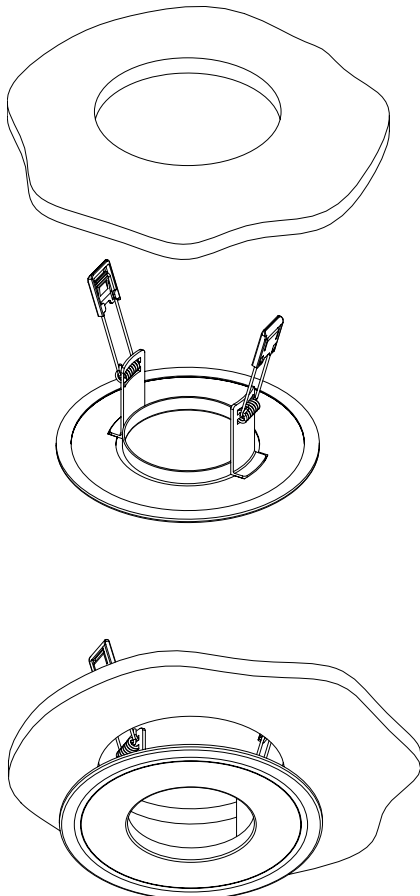
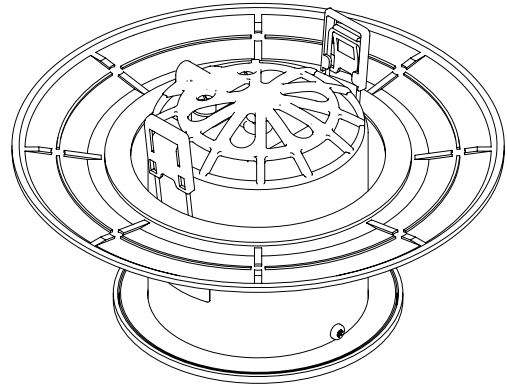
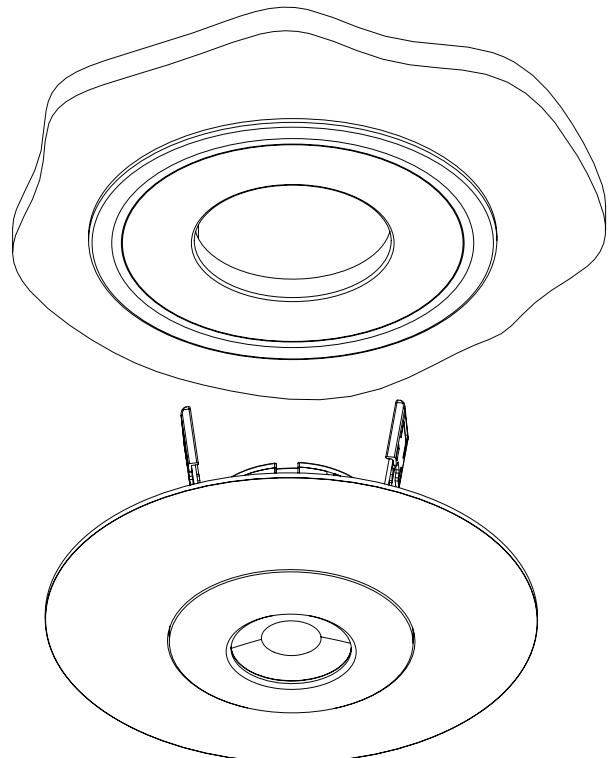


Fig 2.

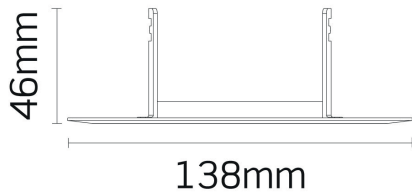


3. Assemble converter plate front bezel over the fitting as shown in Fig2.

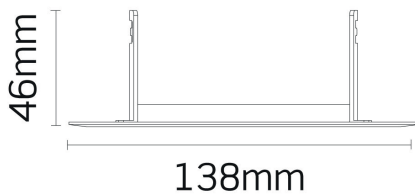
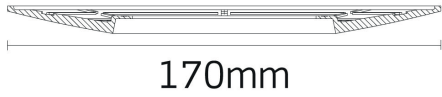


4. Wire luminaire to the main supply and insert into the fitted back plate (please refer to luminaire installation sheet for wiring guidelines).

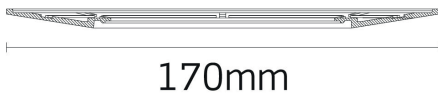
Profile & Dimensions



V50™ Standard - JC1003



V50™ Tilt - JC1004



All dimensions in millimetres

Important warranty information

This product is supported by a 2-year standard warranty. (See website for terms and conditions).