

Architectural Exterior Range

Installation instructions for GU10 IP65 spike light

JCC | a **LEVITON**
company

Warnings & Cautions

- To avoid electric shock, serious injury or property damage, isolate power before installing, removing or servicing the product
- It is recommended that luminaires are installed by a qualified electrician and the installation complies with the local current wiring regulations
- Do not install this product in areas subjected to localized flooding: it has been rated for use in wet locations, but should not be subjected to periods where it is fully immersed in water
- It may be necessary to upgrade your MCBs to allow for increased inrush current
- Any broken or damaged parts should be replaced as soon as possible. JCC will not accept responsibility for claims arising from sub-standard installations; which will void the warranty
- Damage to seals by overtightening is not covered under the terms of the warranty
- This luminaire is suitable for outdoor use
- These products are designed for connection to a 100-240V~ 50/60Hz supply
- Please check with lamp manufacturer for suitability for use in an enclosed fitting

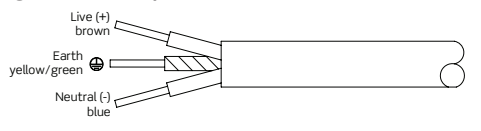
INSTALLATION

ENGLISH

Specification : GU10 Cap 35W LED max only

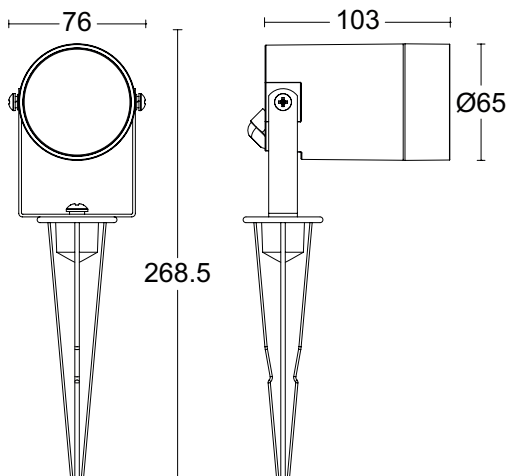
100-240V~ 50/60Hz / Class I 

Figure 1. Mains input



Terminal block must comply to EN 60998-2-1 or EN 60998-2-2

Profile & Dimensions

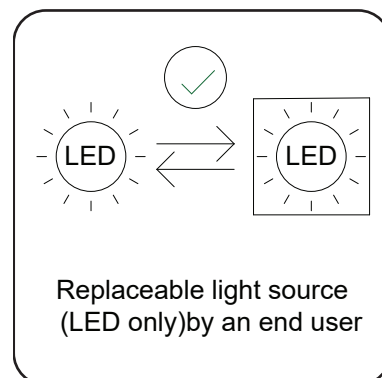


All dimensions in millimetres

- Read instructions and check that you have all of the tools and accessories required to complete the installation correctly. Isolate power supply before starting the installation.
- This product is suitable for wall mounting, if spike is removed.

Installation procedure

1. Select a suitable area to install this luminaire.
2. Drive the mounting spike into the ground. If the ground is particularly hard the spike can be unscrewed from the luminaire section to avoid damage if more force is needed.
3. Prepare and terminate the supply cable as shown in Fig.1. Use suitable rated connection box if required.
4. Fit LED lamp by unscrewing the lens cover, be careful to not overtighten cover when screwing back on.
5. Reconnect the power and check that the luminaire is operational.



  **RoHS**
Compliant  **UK**
CA **IP65** **jcc.co.uk**

Important warranty information

This product is supported by a 2-year standard warranty which will extend to 3 years if registered within the first year of purchase. Please register at jcc.co.uk/warranty - Terms and conditions apply.

The installer will be asked to provide the following information, which is detailed on a label attached to the luminaire's chassis: Product Code/Date Code.

BS EN ISO9001 - 2015 - Registered Firm Certificate No. GB 1552
JCC Lighting Products Ltd. Lux Park, Chichester Business Park, City Fields Way, Tangmere, Chichester, West Sussex, PO20 2FT
Technical Support: +44(0)1243 838986 Customer Services: +44(0)1243 838999

V3_Sept_2022_RS