

Architectural Exterior Range

Installation instructions for exterior spike light range

WARNINGS AND CAUTIONS

- To avoid electric shock, serious injury or property damage, isolate power before installing, removing or servicing the product.
- It is recommended that this product is installed by an electrician or a competent person with sufficient experience to install this product.
- To be installed in accordance with the local current wiring regulations and standards.
- This luminaire is suitable for indoor and outdoor use.
- These products are designed for connection to a 100-277V~ 50/60Hz supply.
- It may be necessary to upgrade your MCBs to allow for increased inrush current.
- Any broken or damaged parts should be replaced as soon as possible. JCC will not accept responsibility for claims arising from sub-standard installations; which will void the warranty.

INSTALLATION

ENGLISH

Specifications Colour temp: 3000K Ra: 80

Product code	Wattage	Lumens	LpcW	Ra
JC17025	8.4W	825	98	84
JC17030	15.5W	920	59	82
*JC17044	10.1W	613	61	84
*JC17045	10.1W	700	69	84



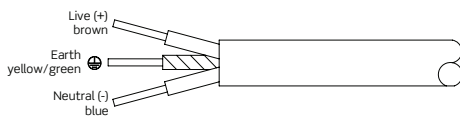
100-277V~ 50/60Hz / Class I 
 *200-240V~ 50/60Hz / Class I 

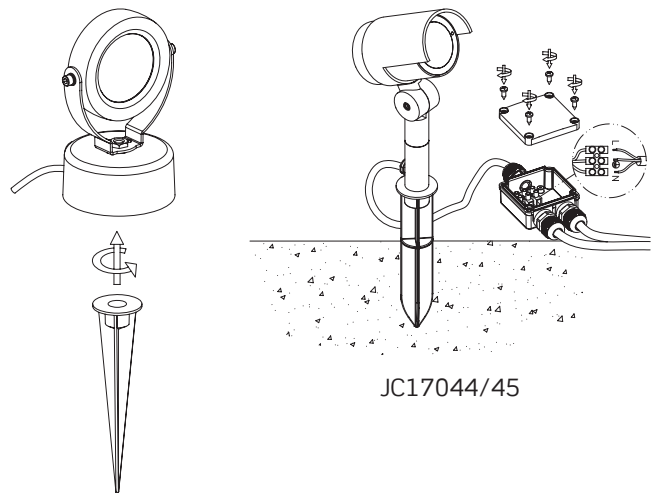
Figure 1. Mains input



Terminal block must comply to EN 60998-2-1 or EN 60998-2-2

Terminal block specification:

Number of Ways	3
Mounting Type	Through Hole
Pitch	8mm
Current Rating	24A
Termination Method	Screw Down
Wire Size	2.5 mm ²
Material	Nylon
Voltage Rating	380 V
Maximum Operating Temperature	+125°C
Contact Material	Brass
Contact Plating	Nickel



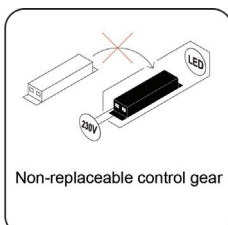
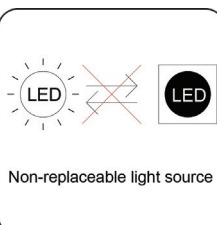
JC17044/45

- Read instructions and check that you have all of the tools and accessories required to complete the installation correctly. Isolate power supply before starting the installation.

Installation procedure

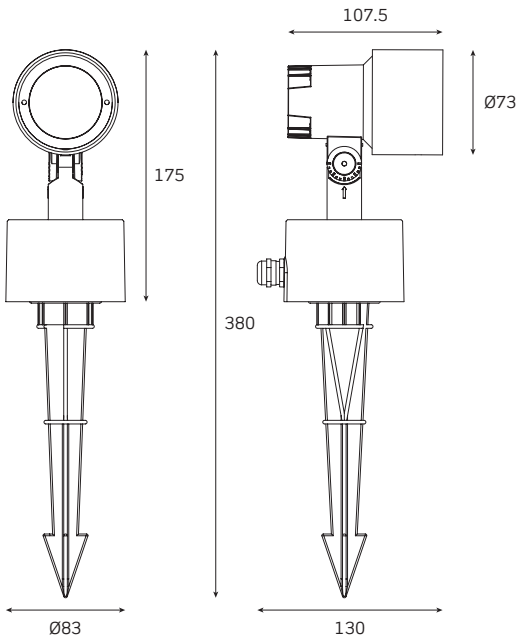
- Select a suitable area to install this luminaire.
- Drive the mounting spike into the ground. If the ground is particularly hard the spike can be unscrewed from the luminaire section to avoid damage if more force is needed.
- Prepare and terminate the supply cable as shown in Fig.1. Use suitable rated connection box if required.
- Reconnect the power and check that the luminaire is operational.

N.B. Do not install this product in areas subjected to localized flooding: it has been rated for use in wet locations, but should not be subjected to periods where it is fully immersed in water.

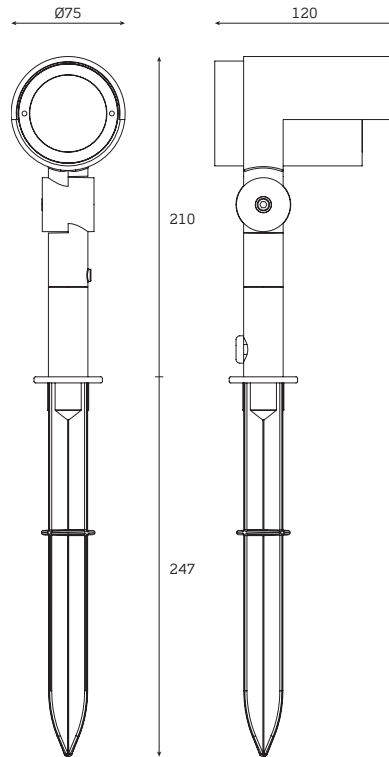


Profile & Dimensions

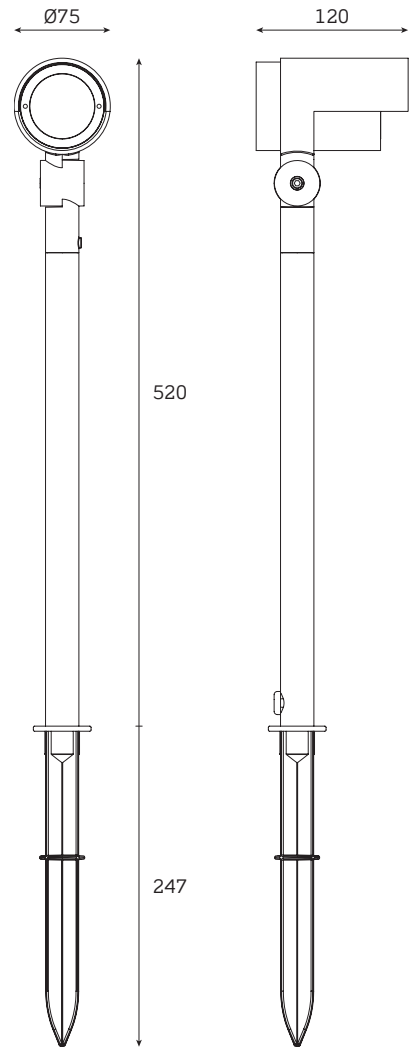
JC17030



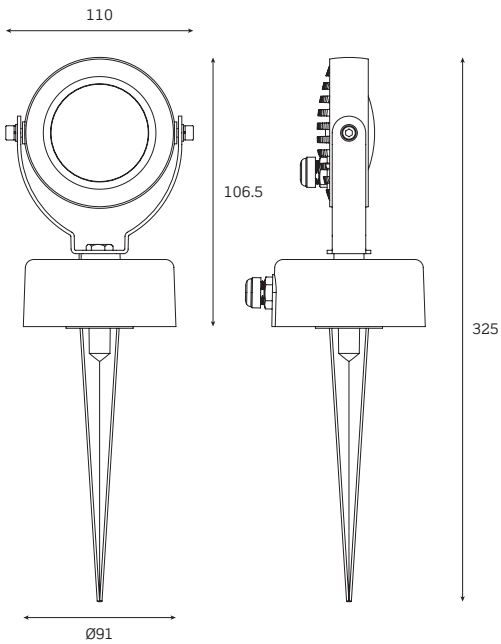
JC17044



JC17045



JC17025



All dimensions in millimetres

Important warranty information

This product is supported by a 2-year standard warranty which will extend to 3 years if registered within the first year of purchase. Please register at jcc.co.uk/warranty - Terms and conditions apply.

The installer will be asked to provide the following information, which is detailed on a label attached to the luminaire's chassis:
Product Code/Date Code.