

Mainline Track Range

Installation instructions for JC14005 adjustable right angled/straight connector with power feed



Warnings & Cautions

- To avoid electric shock, serious injury or property damage, isolate power before installing, removing or servicing the product.
- It is recommended that this product is installed by an electrician or a competent person with sufficient experience to install this product.
- To be installed in accordance with the local current wiring regulations and standards.
- This product is suitable for indoor use only.
- Any broken or damaged parts should be replaced as soon as possible. JCC will not accept responsibility for claims arising from sub-standard installations; which will void the warranty.
- These products are designed for connection to a 240V~ 50Hz supply.
- It may be necessary to upgrade your MCBs to allow for increased inrush current.

INSTALLATION

ENGLISH

240V 50Hz 16 Amp max. Class I Ⓢ

Available in black and white

Installation procedure

Please note that both the internal profile of the track sections and the external profile of the connectors are asymmetrical: this feature has been incorporated to ensure the overall polarity of the system, i.e. phase can only be connected to phase and neutral will only connect to neutral (see Fig. 1a).

The JC14005 is a combined track connector and optional power feed accessory. It can be easily adapted by the installer for use as either a right angled or straight line connector and is supplied with the necessary covers to suit both of these applications.

If you should experience any difficulties connecting Mainline components please check that they are correctly orientated. The phase side of the track can also be identified by the shallow groove running along its outer surface. This groove is a reference for the correct insertion of luminaires into the track during installation (see Fig. 1b).

The JC14005 is supplied in one of its two possible right angled formats. In this instance the phase connection is situated on the inside of the right angle (see Fig. 2). To convert from this option to either a straight line connector or a right angle with the phase on the outer edge, please read the following:

- Undo the two cover retaining screws and remove it. This will reveal the internal wiring.
- The terminals are marked P for phase and N for neutral. The diagram shows the neutral cable with white insulation.
- The cable input that connects the two sections of the connector also doubles as a hinge or pivot point. Adjust the two parts relative to one another until they match one of the other options illustrated below.
- If the JC14005 is to be used as a power feed remove the blanking plate and the internal wiring. Then connect Live (Brown) to Phase, Neutral (Blue) to Neutral and Earth (Green/Yellow) to the Earth tag.
- Attach the appropriate cover and the JC14005 is ready to insert into the track. Once the JC14005 is located into the track sections ensure that the locking screws are tightened.

Fig. 1a

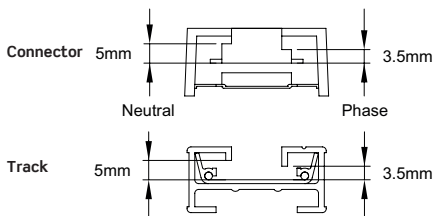


Fig. 1b

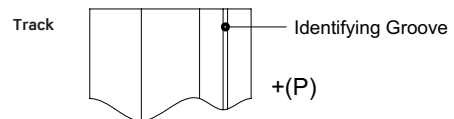
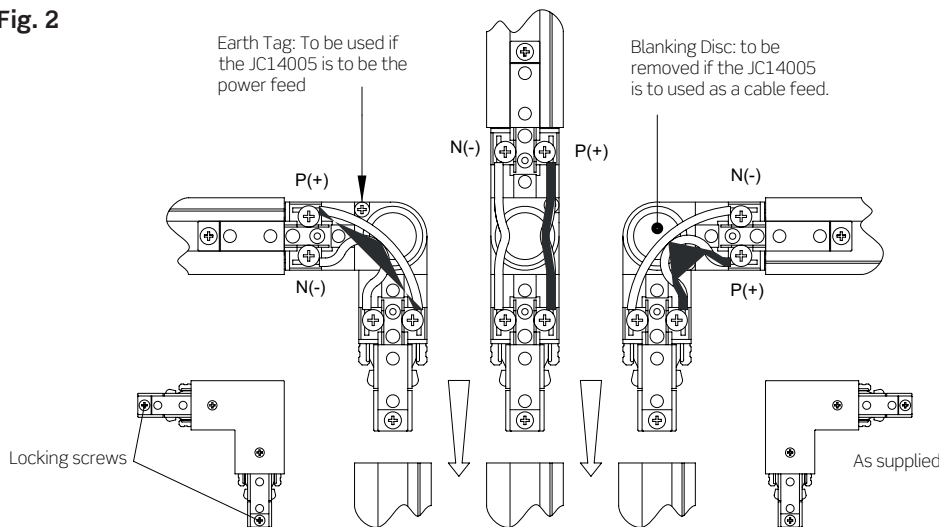
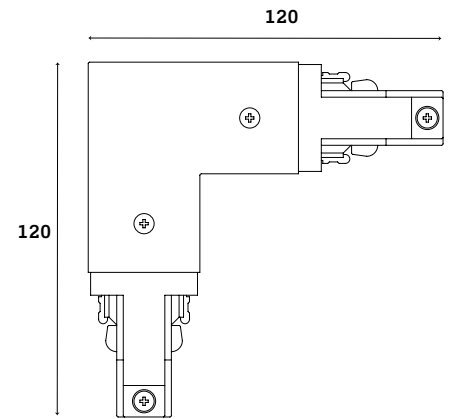


Fig. 2



Profile & Dimensions



Important warranty information

This product is supported by a 2-year standard warranty. (See website for terms and conditions).

