

# Mainline Track Range

Installation instructions for JC14012 Pre-wired Track Adaptor

**JCC** | a **LEVITON** company

## Warnings & Cautions

- To avoid electric shock, serious injury or property damage, isolate power before installing, removing or servicing the product.
- It is recommended that luminaires are installed by a qualified electrician to ensure the installation complies with the local current wiring regulations.
- JCC will not accept responsibility for claims arising from sub-standard installations; which will void the warranty.
- It may be necessary to upgrade your MCBs to allow for increased inrush current.
- Read instructions and check that you have all of the tools and accessories required to complete the installation correctly. Isolate power supply before starting the installation.
- This product is designed for connection to a 240V~ 50Hz 16 Amp max.
- This product is suitable for indoor use only.
- Ensure the pendant weighs no more than 0.5Kg as this is the maximum weight the adaptor can hold.

## INSTALLATION

ENGLISH

### 240V 50Hz 5 Amp max. Class I Ⓢ

Available in black and white

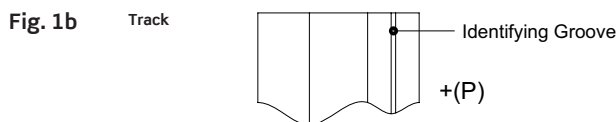
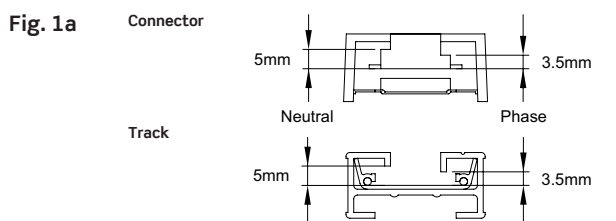
### Installation procedure

Please note that both the internal profile of the track sections and the external profile of the connectors are asymmetrical: this feature has been incorporated to ensure the overall polarity of the system, i.e. phase can only be connected to phase and neutral will only connect to neutral (see Fig. 1a).

The JC14012 is supplied as a pre-wired track adaptor only.

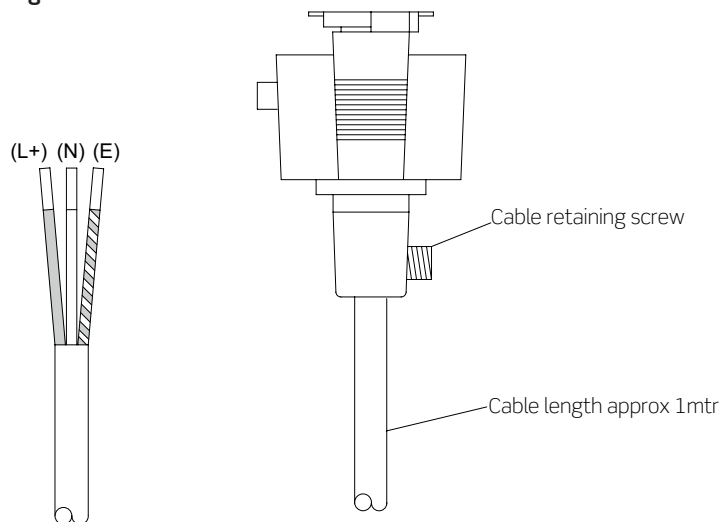
If you should experience any difficulties connecting Mainline components please check that they are correctly orientated. The phase side of the track can also be identified by the shallow groove running along its outer surface. This groove is a reference for the correct insertion of luminaires into the track during installation (see Fig. 1b).

1. Connect the pendant to the cable on the pre-wired adaptor ensuring the correct wires are connected to the Live (brown), Neutral (blue) and Earth (green) as illustrated in Fig. 2.
2. Make sure the cable retaining screws are tightened, do not over tighten.
3. Fit the pendant into the track ensuring that the phase (+) indicated by the letter "P" on the track adaptor, is aligned correctly with the phase side of the track.

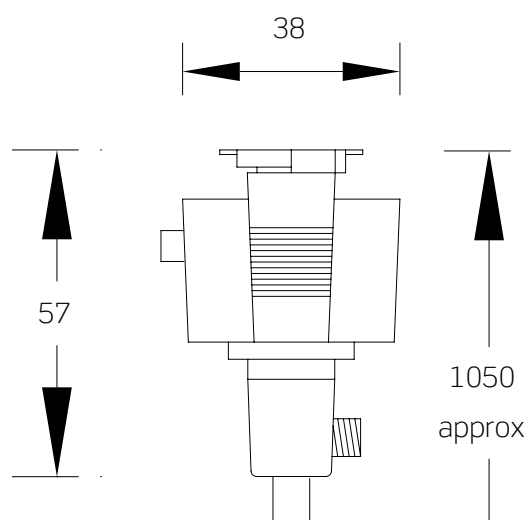


You can help protect the environment. Please remember to respect the local regulations: hand in the non-working electrical equipment to an appropriate waste disposal centre. The packaging material is recyclable. Dispose of the packaging in an environmentally friendly manner and make it available for the recyclable material collection service.

Fig. 2



### Profile & Dimensions



All dimensions in millimetres

### Important warranty information

This product is supported by a 2-year standard warranty. (See website for terms and conditions).



IP20 **jcc.co.uk**

BS EN ISO9001 - 2015 - Registered Firm Certificate No. GB 1552

JCC Lighting Products Ltd. Innovation Centre, Beeding Close, Southern Cross Trading Estate, Bognor Regis, West Sussex, PO22 9TS, United Kingdom

Technical Support: +44(0)1243 838986 Customer Services: +44(0)1243 838999

V4\_Feb\_2021\_GL