

Mainline 3 Circuit Track Range

Installation instructions for JC88103 Mainline Three Circuit Track



Warnings & Cautions

- To avoid electric shock, serious injury or property damage, isolate power before installing, removing or servicing the product.
- It is recommended that luminaires are installed by a qualified electrician to ensure the installation complies with the local current wiring regulations.
- JCC will not accept responsibility for claims arising from sub-standard installations; which will void the warranty.
- It may be necessary to upgrade your MCBs to allow for increased inrush current.
- Read instructions and check that you have all of the tools and accessories required to complete the installation correctly. Isolate power supply before starting the installation.
- This product is designed for connection to a 240V~ 50Hz.
- This product is suitable for indoor use only.

INSTALLATION

ENGLISH

16 Amp max. per circuit Class I ⊕

3 metre section
Available in black and white

Installation procedure

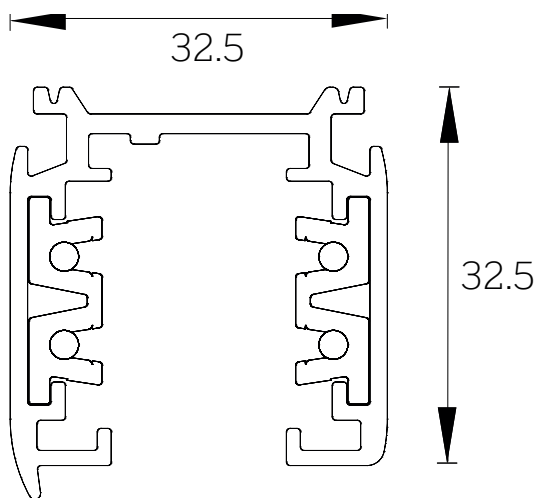
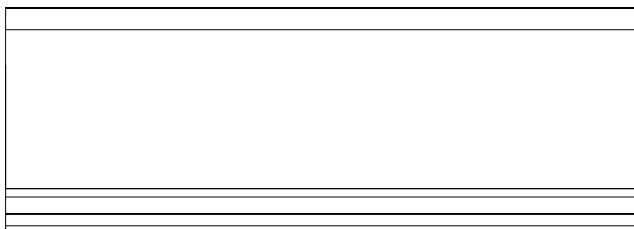
Cutting Track

When reducing the length of track i.e. cutting down. It is recommended that a piece of masking tape be wrapped around the intended cutting area, this will ensure the powder coated or plated finish does not lift and chip. It is recommended for a good electrical connection that the installer should always mark out and cut track accurately using an engineers square prior to cutting.

Hint

Our recommendation would be to remove a section of material from the end of the track that is opposite to that of the live feed. This would ensure a perfect connection and trouble free operation. Always ensure that the locking screw is tightened.

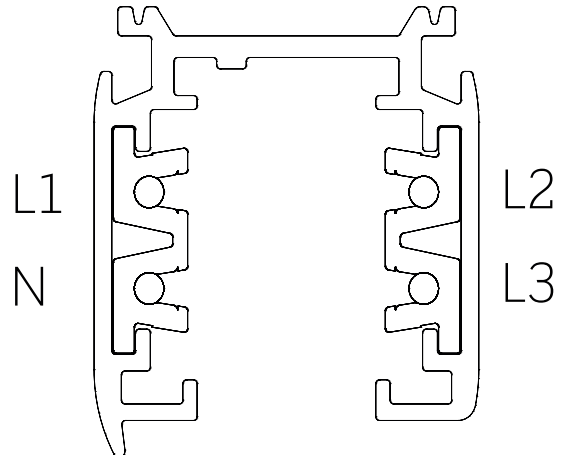
Profile & Dimensions



All dimensions in millimetres

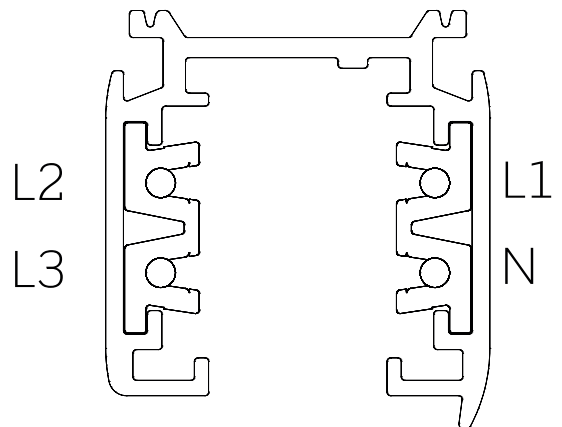
For left hand power feed

(JC88105 - not supplied)



For right hand power feed

(JC88104 - not supplied)



You can help protect the environment. Please remember to respect the local regulations: hand in the non-working electrical equipment to an appropriate waste disposal centre. The packaging material is recyclable. Dispose of the packaging in an environmentally friendly manner and make it available for the recyclable material collection service.

Important warranty information

This product is supported by a 2-year standard warranty. (See website for terms and conditions).

BS EN ISO9001 - 2015 - Registered Firm Certificate No. GB 1552

JCC Lighting Products Ltd. Innovation Centre, Beeding Close, Southern Cross Trading Estate, Bognor Regis, West Sussex, PO22 9TS, United Kingdom

Technical Support: +44(0)1243 838986 Customer Services: +44(0)1243 838999



IP20 **jcc.co.uk**