

**READ THESE INSTRUCTIONS THOROUGHLY BEFORE INSTALLATION KEEP THESE INSTRUCTIONS FOR FUTURE REFERENCE.**

**IMPORTANT:**

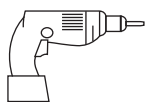
This product must be installed by a qualified electrician or competent person, and in accordance with current building and IET wiring regulations.

**BOX CONTENTS**

This lighting fixture has been properly packed to avoid damage during transit. Before commencing with the installation carefully inspect the luminaire to confirm there is no damage. **DO NOT INSTALL** if any damage has occurred to the fixture or any of its components.

- Light Head / Post
- Instruction Manual
- Post Mount Kit (with Post)
- Fixing Kit (with Post)

**TOOLS REQUIRED**



- Drill



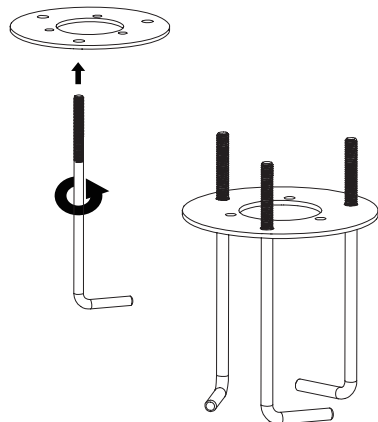
- Screwdriver



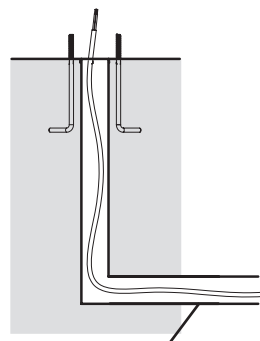
- Cable

**INSTALLATION INSTRUCTIONS**

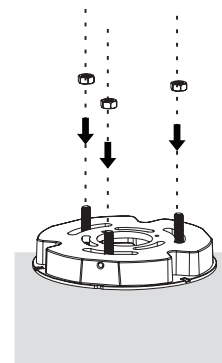
**GROUND FIXING - (OPTION 1)**



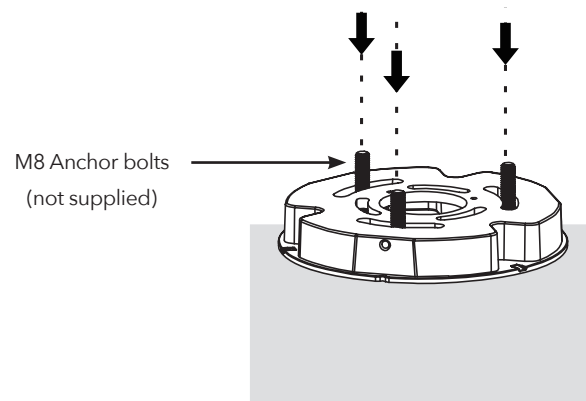
Suggested concrete size:  
250mm x 250mm x 300mm



Hole diameter  $\varnothing$ 30-55mm



**GROUND FIXING - (OPTION 2)**



M8 Anchor bolts  
(not supplied)

**Fitting the Head to the Post - See overleaf**

**PLEASE READ THESE INSTRUCTIONS BEFORE INSTALLATION.**



**WARNING: Risk of electric shock! Isolate the mains power before proceeding.**

- Turn off the mains power before performing inspections, installation, or removal
- Verify that the supply voltage is correct by comparing it with the luminaire label information
- It is the installers responsibility to ensure installation is suitable for the total load of the luminaire(s). The supply cable, fuses/circuit breakers must be correctly rated for the electrical load and considering for any transient inrush currents that may occur
- Do not perform insulation strength or resistance tests on installed luminaire(s) connected

**Ground Fixing - Option 1**

Screw all 3 anchors provided into the base fixing plate

Concrete fixing plate into ground ensuring supply cable is directed through the centre hole

Secure the base using M8 nuts provided

**Ground Fixing - Option 2**

Direct cable through centre hole of base plate

Mark and drill holes as required

Secure using suitable M8 Anchor bolts or resin fixings (not supplied)

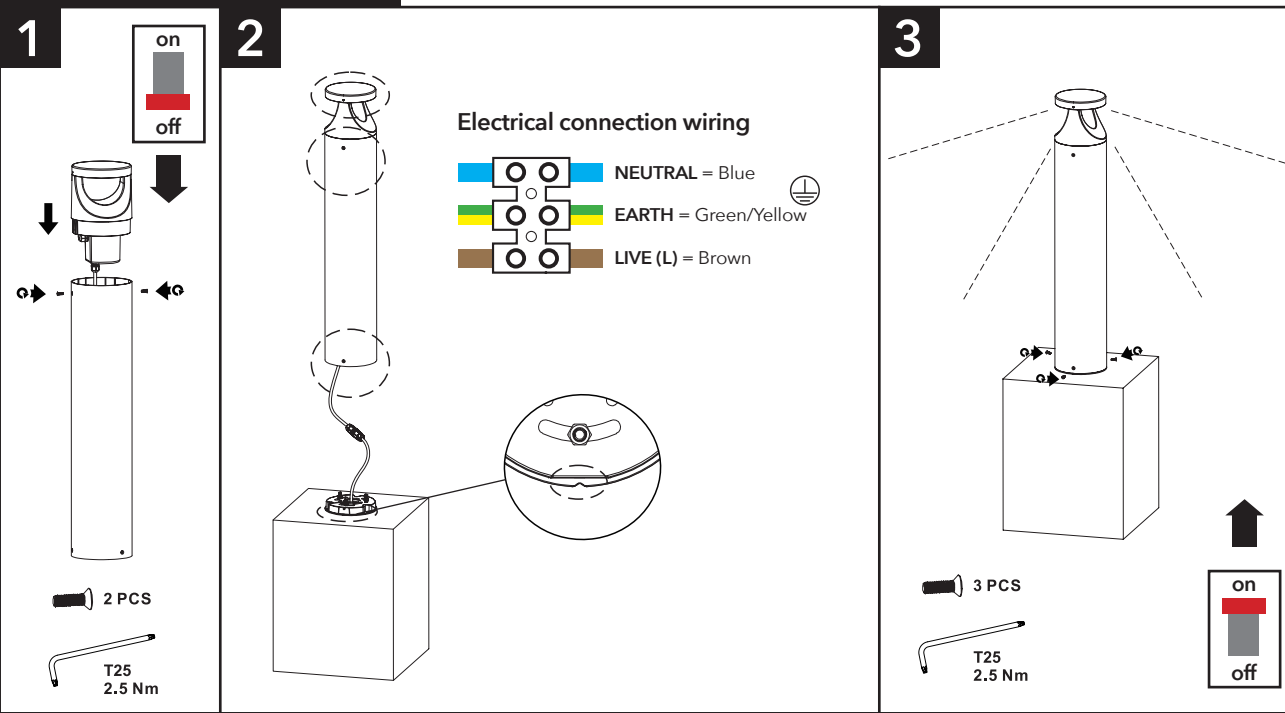
## DISPOSAL

Disassembly instructions for end of life disposal available on website.

Disposal of Electronic Equipment WEEE Directive 2002/96/EC This product falls within the scope of the Waste Electrical & Electronic Equipment Directive (WEEE), which means the product should not be disposed of as normal household waste. Please recycle where facilities exist or check with your Local Authority. RoHS - All components and materials used in this product are RoHS 2002/95/EC compliant.

Specifications may change from time to time. The information contained in this leaflet is for guidance only and should not be considered as always accurate and should be treated as not representative.

## HEAD FIXING



## Head Fixing

1. Secure the head to the post using fixings provided
2. Wire as per diagram ensuring a suitable connection method and or junction box is used
3. Secure the post to base plate using the screws provided. Switch on mains power

## WARRANTY

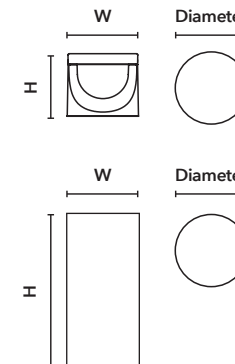
This luminaire is warranted for a period of 5 years from the date of purchase\*\*. The warranty could be invalidated should the light fitting not be installed according to these instructions, outside the scope of the specification or the product has been altered or tampered with in any way. Please see website for terms and conditions.

## PRODUCT TEMP SPECIFICATION

Standard -30 to +50°C

## LEIGHTON BOLLARD DIMENSIONS

Part No.	Description	Watts	Diameter	W(mm)	H(mm)	Weight
430690	Leighton Bollard Head	14W	165	165	145	5.2Kg inc post
430691	Leighton Bollard Head	24W	165	165	145	7.2Kg inc post
Part No.	Description	Watts	Diameter	W(mm)	H(mm)	Weight
430688	Leighton Bollard Post 500mm	-	165	165	355	-
430689	Leighton Bollard Post 900mm	-	165	165	755	-



Total height:

Small Bollard = 500mm

Large Bollard = 900mm

This product contains a light source of energy efficiency Class F.

Technical Helpline: +44 (0)1507 328031