

# TIMEGUARD®

## Wiring Centre Box

Model: TRT049N



Installation & Operating Instructions

## 1. General Information

- These instructions should be read carefully in full before installation, and retained for further reference and maintenance.
- Wiring diagrams are supplied for the two most popular, S-plan and Y-plan.
- This guide assumes that the installer can identify the required leads from the boiler, pump and other controls.
- This wiring centre is suitable for all types of heating systems.

## 2. Safety

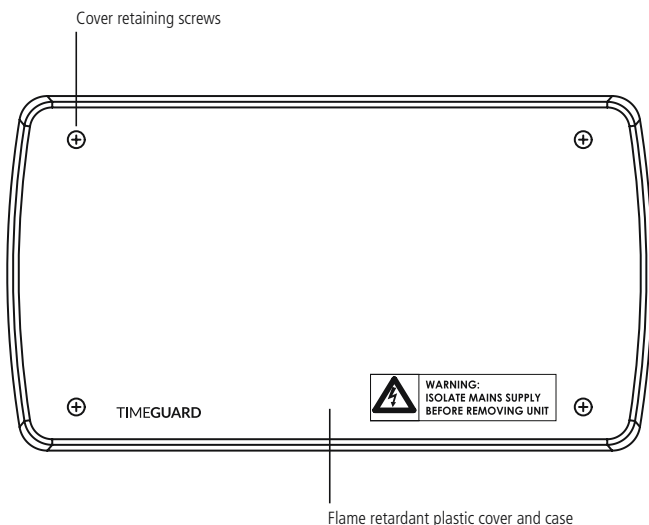
- Before installation or maintenance, ensure the mains supply to the wiring centre box is switched off and the circuit supply fuses are removed or the circuit breaker turned off.
- It is recommended that a qualified electrician is consulted or used for the installation of this wiring centre box and installed in accordance with the current IEE wiring and Building Regulations.
- Check that the total load on the circuit including when this wiring centre box is fitted does not exceed the rating of the circuit cable, fuse or circuit breaker.

## 3. Technical Specifications

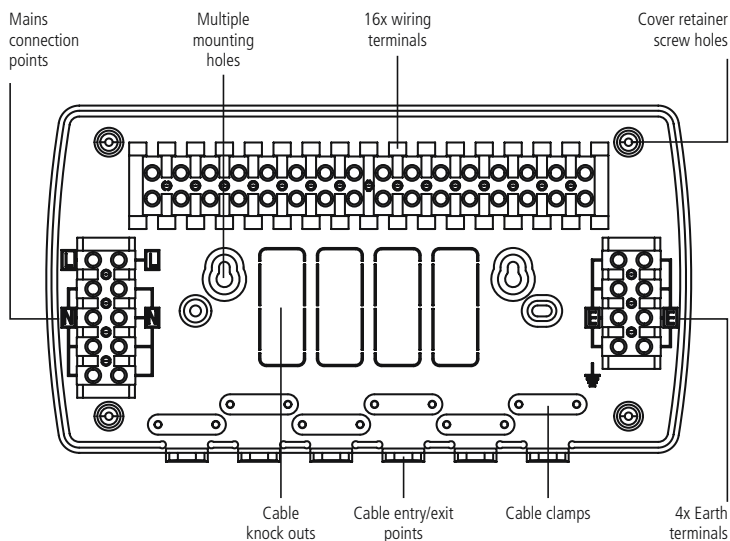
- 230V AC 50 Hz
- This unit is of class II construction
- Current Rating: 10(2)A
- Installation Type: Surface mount with wall fixing kit supplied
- Operating Temperature: 0°C to 40°C
- Flame Retardant Rating: V1
- CE Compliant
- Dimensions (H x W x D): 125 x 225 x 40mm

1

### TRT049N Front View



## TRT049N Inside View



## 2

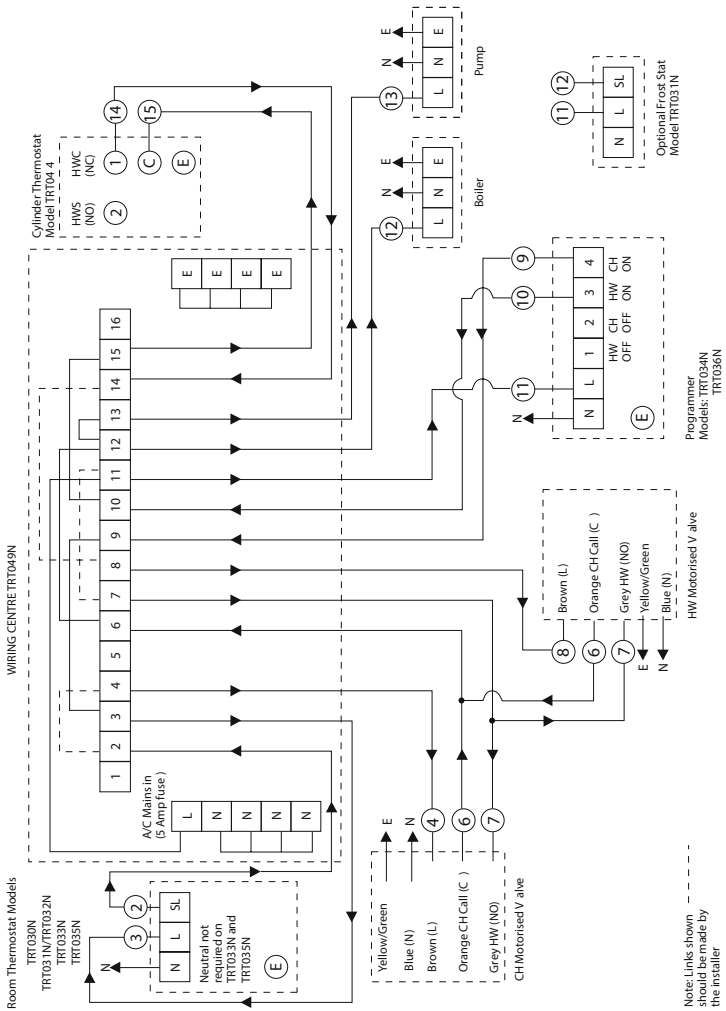
### 4 Installation

- 4.1 Ensure the mains supply is switched off and the circuit supply fuses are removed or the circuit breaker turned off.
- 4.2 Remove the front cover from the unit, by undoing the 4 x retaining screws.
- 4.3 Mark the position of the mounting holes on the wall using the wall plate as a template, and drill the holes ensuring not to infringe with any gas/water pipes or electrical cables that may be hidden below the surface. Insert the wall plugs into the holes.
- 4.4 Select a suitable cable entry point(s). Remove the required break-offs from the bottom edge or knock-outs from the rear to accommodate the cables (a mixture of rear and bottom entries can be used if appropriate).
- 4.5 Pass the 230V 50Hz mains supply and load cables through the cable entry point(s) and prepare for termination. Allow sufficient excess cable to wire up the unit, but not too much to make it difficult to close the cover.
- 4.6 Fix the unit to the wall using the correct screws for the wall plugs installed.
- 4.7 Terminate the cables into the terminal blocks ensuring correct polarity is observed, and that all bare conductors are sleeved (see section xxx .Connection). If earth continuity is required, please use the earth terminals on the right hand side.
- 4.8 Restore mains to the unit after checking all system wiring is complete and replacing the front cover.

# 5. Connection Diagrams

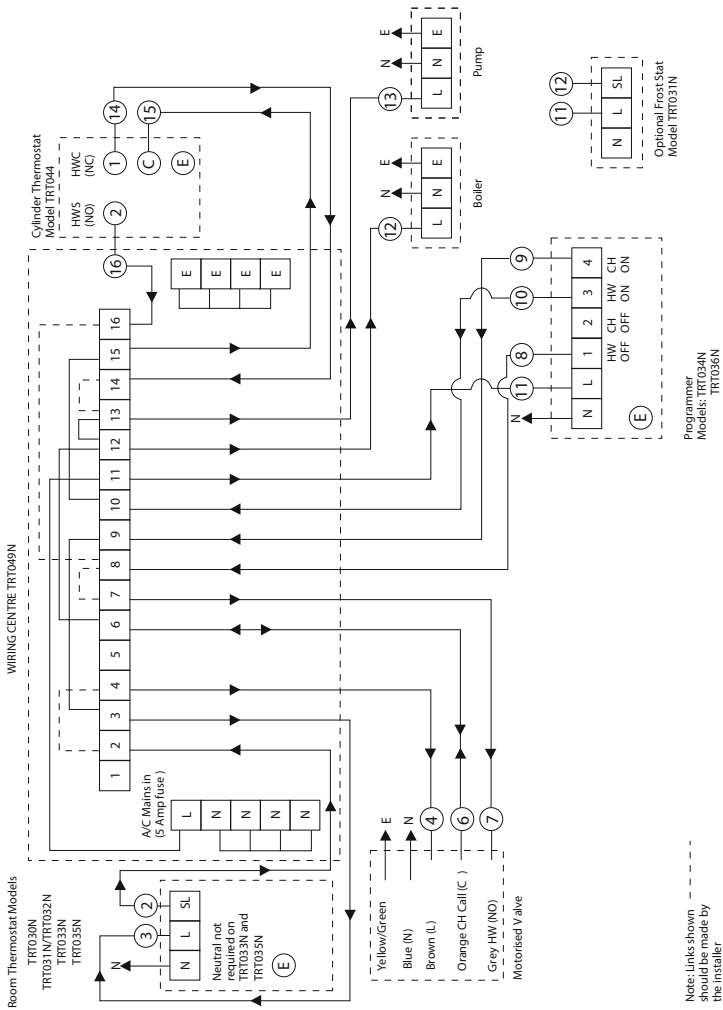
## 2 Port Motorised Valve System (S-Plan)

3



# 3 Port Motorised Valve System (Y-Plan)

4



Note: Links shown should be made by the installer

## 3 Year Guarantee

In the unlikely event of this product becoming faulty due to defective material or manufacture within 3 years of the date of purchase, please return it to your supplier in the first year with proof of purchase and it will be replaced free of charge. For the second and third years or any difficulty in the first year telephone the helpline on 020 8450 0515.

Note: A proof of purchase is required in all cases. For all eligible replacements (where agreed by Timeguard) the customer is responsible for all shipping/postage charges outside of the UK. All shipping costs are to be paid in advance before a replacement is sent out.



If you experience problems, do not immediately return the unit to the store.

Telephone the Timeguard Customer Helpline;

HELPLINE

**020 8450 0515**

or email [helpline@timeguard.com](mailto:helpline@timeguard.com)

Qualified Customer Support Co-ordinators will be on-line to assist in resolving your query.



**Deta Electrical Co Ltd**

Panattoni Park, Luton Road,  
Chalton, Bedfordshire, LU4 9TT

Sales Office: 020 8452 1112  
or email [csc@timeguard.com](mailto:csc@timeguard.com)

**[www.timeguard.com](http://www.timeguard.com)**