

TIMEGUARD®

DALI Power Supply

Model: PSUDALI



Installation & Operating Instructions

1. General Information

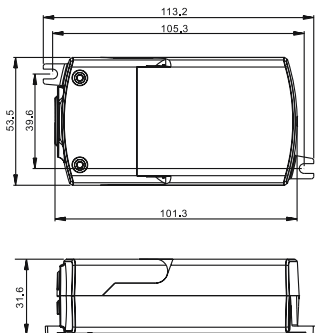
These instructions should be read carefully and retained for further reference and maintenance. The PSUDALI DALI power supply is designed to be used with Timeguard IR DALI presence detector models PDSMDALI, PDSMCDALI, PDFMDALI and PDFMCDALI.

2. Safety

- Before installation or maintenance, ensure the mains supply to the product is switched off and the circuit supply fuses are removed or the circuit breaker turned off.
- It is recommended that a qualified electrician is consulted or used for the installation of this product and it is installed in accordance with the current IEE wiring and Building Regulations.
- Check that the total load on the circuit including when this product is fitted does not exceed the rating of the circuit cable, fuse or circuit breaker.

3. Technical Specifications

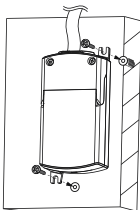
- Operating voltage: 230V AC 50 Hz
- This unit is of class II construction and must not be earthed
- Output voltage: 16V DC
- Output current: 220mA Max.
- Rated power: 3.8W Max.
- Fixing Hole Centres: 105.3mm
- Operating Temperature: -20°C to +45°C
- IP20 Rated for restricted internal applications
- RoHS Compliant
- CE Compliant
- Dimensions (H x W x D):
53.5 x 113.2 x 31.6mm



4. Installation

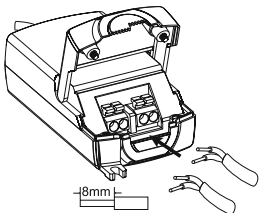
Mounting

- 4.1 Ensure the mains supply is switched off and the circuit supply fuses are removed or the circuit breaker is turned off.
- 4.2 If the unit is to be permanently fixed to a wall/joist or ceiling:
 - a) Using the unit as a template mark the position of the fixing holes.
 - b) Drill the holes for the rawl plugs ensuring not to infringe on any gas/water pipes or electrical cables that may be hidden below the surface.
 - c) Insert the correct rawl plugs for the drilled holes.
 - d) Fix the unit using the correct mounting screws for the rawl plugs installed.



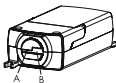
Terminal Connection

- 4.3 Loosen the captive fixing screws located on the top of the unit, so you can open the hinged terminal cover revealing the wiring terminals.

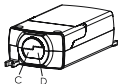


Note: maximum cable size is 2.5mm².

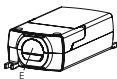
Knock-outs on cover is for cables entry. Please refer to following illustration for application:



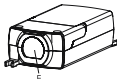
No knock-out is used:
A: $\Phi 2\text{mm} - \Phi 5\text{mm}$
B: $\Phi 5\text{mm} - \Phi 8\text{mm}$.



Knock-out on bottom case is used:
C: $\Phi 8\text{mm} - \Phi 11\text{mm}$
D: $\Phi 11\text{mm} - \Phi 13\text{mm}$



Knock-out on protection cover is used:
E: $\Phi 12\text{mm} - \Phi 17\text{mm}$.



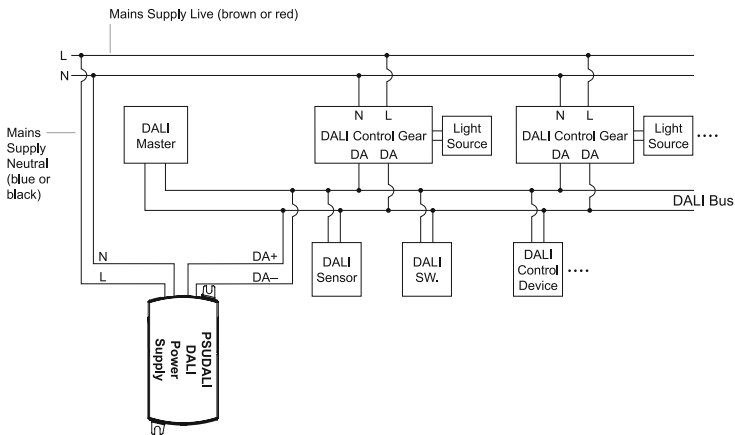
Knock-out on protection cover and bottom case is used:
F: $\Phi 17\text{mm} - \Phi 18\text{mm}$.

4

- 4.4 Connect the 230V 50Hz mains supply and load cables to the unit as per the provided diagram (See section 5. Connection Diagram) ensuring correct polarity is observed and any bare conductors are sleeved. Ensure the terminal screws are secure but do not overtighten.
- 4.5 Close the hinged terminal cover and fasten the captive fixing screws into position, again making sure not to overtighten.

5. Connection Diagram

- Connections are as follows;



5

3 Year Guarantee

In the unlikely event of this product becoming faulty due to defective material or manufacture within 3 years of the date of purchase, please return it to your supplier in the first year with proof of purchase and it will be replaced free of charge. For the second and third years or any difficulty in the first year telephone the helpline on 020 8450 0515.

Note: A proof of purchase is required in all cases. For all eligible replacements (where agreed by Timeguard) the customer is responsible for all shipping/postage charges outside of the UK. All shipping costs are to be paid in advance before a replacement is sent out.



If you experience problems, do not immediately return the unit to the store. Telephone the Timeguard Customer Helpline;

HELPLINE
020 8450 0515

or email
helpline@timeguard.com

Qualified Customer Support Coordinators will be online to assist in resolving your query.



A **theben** Group Company

For a product brochure please contact:

Timeguard Limited.

Victory Park, 400 Edgware Road,
London NW2 6ND

Sales Office: 020 8452 1112
or email csc@timeguard.com

www.timeguard.com

67.058.633 (Issue 1)

Zerofour – June 2018