



Weathersafe[®]

IP65 DC Isolator Switches

Installation & Operating Instructions



Model: IS4N-16DC - 4 Pole, 16A



Model: IS4N-20DC - 4 Pole, 20A

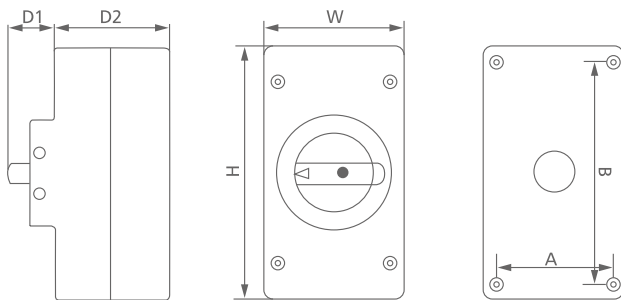


Model: IS4N-25DC - 4 Pole, 25A



Model: IS4N-32DC - 4 Pole, 32A

1. Dimensions



	H	W	D2	D1	Knockouts	A	B
IS4N-16DC	180	100	81	36	6x M20	84	158
IS4N-20DC	180	100	81	36	6x M20	84	158
IS4N-25DC	180	100	81	36	6x M20	84	158
IS4N-32DC	180	100	81	36	6x M20	84	158

Please note that all instructions are to be left with the customer after installation

The Weathersafe Isolator range is manufactured from tough, durable thermoplastic, and is intended for use in an outdoor environment, or one in which the protection provided by the Weathersafe Extreme range is required. The protection level is IP65.

2. Installation Instructions

- These products should be installed by a competent person (e.g. qualified electrician) in accordance with these instructions and in compliance with the appropriate clauses of the current edition of the IEE wiring and building regulations.
- The Weathersafe Isolator range is designed to be mounted on a vertical flat surface.
- The rear box shall be mounted on the wall using fixings and wall plugs if necessary. The fixing dimensions are marked on the back of the rear box.
- The front moulding can only be removed when the switch is in the OFF position.
- The terminals should be tightened to a torque of 1.8Nm.
- A cable gland of IP65 or higher should be used in order to maintain the IP rating.
- The relevant cable entry knockout should be carefully removed by scoring the groove around the required knockout with a sharp knife and then tapping it out with a small hammer onto a screwdriver in the groove.
- When re-assembling the enclosure ensure that the gasket is fully in place in order to retain the IP65 rating.
- Tighten the screws supplied to refix the front cover in place. Do not overtighten. Use of an electric screwdriver is not recommended.
- Advice should be sought before installing this product in an environment where it is likely to be subjected to chemicals, oils or solvents.

3. Cleaning

Care should be taken when cleaning this product.

- Inside the lid should only be wiped with a clean dry cloth.
- The outside can be cleaned with mild detergent.
- Solvent based cleaners should not be used.

4. Specifications

DC-PV2 / DC-PV1/21B

IS4N-16DC				
Ue	2P/4P	4T/B/S	2H	
300V	16A	16A	35A	
600V	16A	16A	35A	
800V	12A	16A	/	
1000V	8A	16A	/	

DC-PV2 / DC-PV1/21B

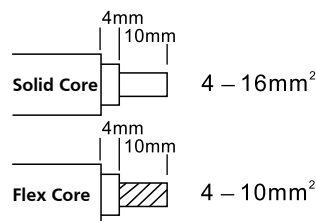
IS4N-20DC				
Ue	2P/4P	4T/B/S	2H	
300V	20A	20A	37A	
600V	20A	20A	37A	
800V	13A	20A	/	
1000V	8A	20A	/	

DC-PV2 / DC-PV1/21B

IS4N-25DC				
Ue	4P	4T/B/S	2H	
300V	25A	25A	40A	
600V	25A	25A	40A	
800V	15A	25A	/	
1000V	9A	25A	/	

DC-PV2 / DC-PV1/21B

IS4N-32DC				
Ue	2P/4P	4T/B/S	2H	
300V	32A	32A	45A	
600V	27A	32A	40A	
800V	17A	32A	/	
1000V	10A	32A	/	



The cable cross section areas may differ subject to the switch rating of the isolator used.

3 Year Guarantee

In the unlikely event of this product becoming faulty due to defective material or manufacture, within 3 years of the date of purchase, please return it to your supplier in the first year with proof of purchase and it will be replaced free of charge. For years 2 to 3 or any difficulty in the first year, telephone our helpline on 020 8450 0515.

Note: a proof of purchase is required in all cases. For all eligible replacements (where agreed by Timeguard) the customer is responsible for all shipping/postage charges outside of the UK. All shipping costs are to be paid in advance before a replacement is sent.

If you experience problems, do not immediately return the unit to the store.

Email the Timeguard Customer Helpline:

HELPLINE

helpline@timeguard.com

or call the helpdesk on 020 8450 0515

Qualified Customer Support Coordinators will be online to assist in resolving your query.

TIMEGUARD®

Deta Electrical Co Ltd

Panattoni Park, Luton Road,
Chalton, Bedfordshire, LU4 9TT
Sales Office: 0208 452 1112
or email csc@timeguard.com
www.timeguard.com