



WP401 Weathersafe Instructions

The WP401 Multibox is a member of the Weathersafe range which is manufactured from tough, durable thermoplastic, and is intended for use in an outdoor environment, or one in which the protection provided by the Weathersafe range is required. All of the products in the range are rated IP65 or better, for protection against water and dust. All Weathersafe products must be fitted according to the relevant instructions to maintain their IP rating once installed.

This product complies with the following standards: IP65 rating: BS EN 60529 Socket outlets: BS 1363

Introduction

This Weathersafe enclosure is designed to accommodate accessories such as trailing sockets with plugs and transformers that are pre-wired by the manufacturer.

The product should be mounted on a vertical surface, with cable entries at the bottom and not more than 1.5m above the ground. There is no earth terminal facility within this enclosure, ensure any accessory requiring an earth is connected via the incoming supply. The supply should be taken from a power outlet protected by a residual current device (RCD).

Ensure any exposed cable is suitable for use outdoors.

Do not drill holes, apart from those for waterproof cable or conduit entries, into any part of the enclosure as this could impair the IP65 weatherproof rating.

A knockout for a waterproof 20mm cable gland or conduit entry is provided at the bottom of the box.

Installation

For permanent installation the product should be fastened to the wall using four No. 8, min 1.5in. long wood screws. To aid installation, a template for the four mounting holes has been provided on the reverse of this instruction leaflet.

Note - installation onto an uneven surface may cause the base to twist and prevent the lid from properly sealing, always check that the lid is properly located. If it is not, remove the lid, slacken one or more of the four base fixing screws and try again.

For temporary installation the Multibox can be supported on the picture hook located at the top rear centre of the product.

If conduit is to be used there must be sufficient drainage from the lowest points of the conduit, and waterproof cable glands or conduit entries must be used.

If two cable entry positions are used with metal conduit, then earth continuity between the conduits must be maintained.

If conduit is attached through the side or top surface then the drain hole must be drilled out (see fig 3). Opening this drain hole will reduce the IP rating of this product.

Purchase the required length of cable to connect the socket strip provided to the supply outlet. Use 3 core 1.5 sq. mm for shorter lengths or 2.5 sq. mm as an option for longer lengths. These cables are readily available at most DIY sheds.

Connect this cable to the socket strip following the instructions provided on the reverse of this instruction leaflet.

Position socket strip on the velcro fastenings and press down. Plug in output plugs/transformers as required and position their leads in the waterproof slots as shown in figs 1 and 2.

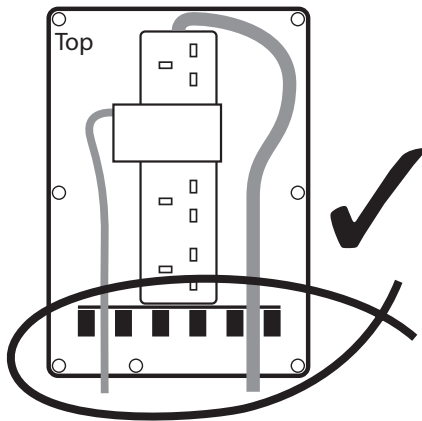


Fig. 1

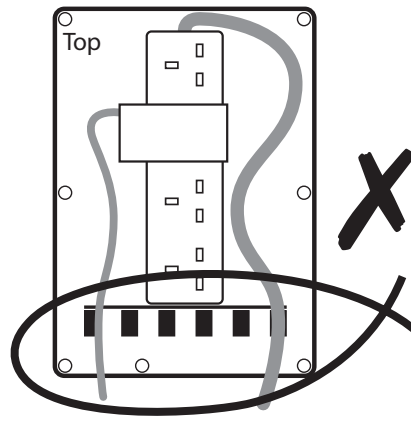


Fig. 2

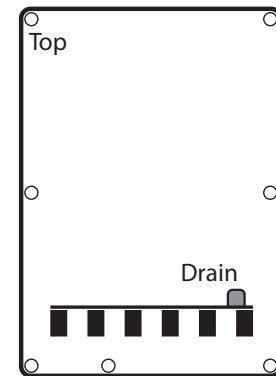


Fig. 3

3 Year Guarantee

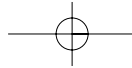
In the unlikely event of this product becoming faulty due to defective material or manufacture within 3 years of the date of purchase, please return it to your supplier in the first year with proof of purchase and it will be replaced free of charge. For years 2 and 3 or any difficulty in the first year telephone the helpline on 020 8450 0515.

Specifications for the enclosure.

Degree of protection	IP65
Maximum cable size	2.5 sq. mm, 3core
Operating temperature range	-20° to 40°C
Installation temperature range	0° to 40°C

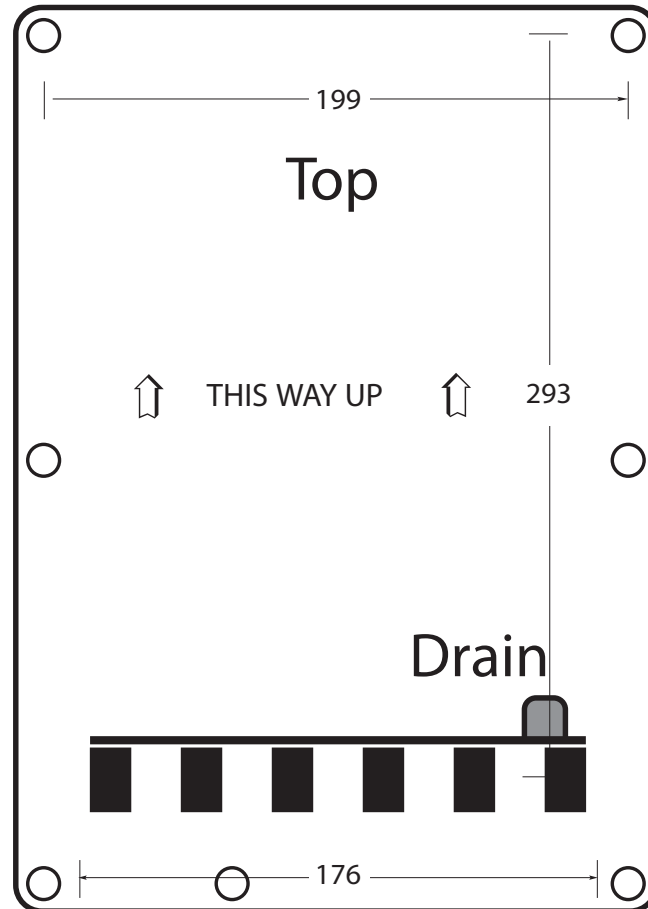
For a product brochure please contact:

Timeguard Ltd. Victory Park, 400 Edgware Road,
London NW2 6ND Tel: 020-8452-1112
or email csc@timeguard.com



Base Mounting Hole Centre Dimensions

Top Set (Left To Right): 199mm
Bottom Set (Left To Right): 176mm
Top to bottom: 293mm



NOTE: THE EXAMPLE DRAWING ABOVE IS NOT TO SCALE

Wiring Instructions

Remove velcro to reveal socket terminal cover screws.

