

TIMEGUARD®

BoostMaster

4 Hour Electronic Boost Timer & Fused Spur

Model: FBT4N – 4 Hour Boost Timer



Installation & Operating Instructions

1. General Information

These instructions should be read carefully and retained for further reference and maintenance.

2. Safety

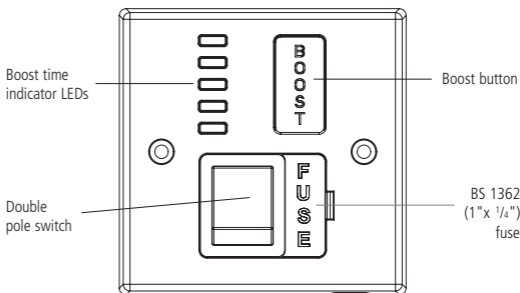
- Before installation or maintenance, ensure the mains supply to the boost timer is switched off and the circuit supply fuses are removed or the circuit breaker turned off.
- It is recommended that a qualified electrician is consulted or used for the installation of this boost timer and install in accordance with the current IEE wiring and Building Regulations.
- Check that the total load on the circuit including when this boost timer is fitted does not exceed the rating of the circuit cable, fuse or circuit breaker.

3. Technical Specifications

- 230V AC 50 Hz
- Fused: Supplied with BS1362 13A Fuse
- Switch Rating: 13A Resistive (3kW)
1000W Incandescent,
Halogen lighting
500W Fluorescent lighting
200W LED lighting
100W Compact Fluorescent lighting
- Contact Type: Normally Open
- Minimum Depth of Wall Box: 25mm
- Boost Times: 1/4, 1/2, 1, 2, 4 Hours
- Operating Temperature: 0°C to +45°C
- CE Approved
- Dimensions (H x W x D): 85mm x 85mm x 31mm

Note: Not suitable for use with Discharge Lighting.

Example



4. Installation

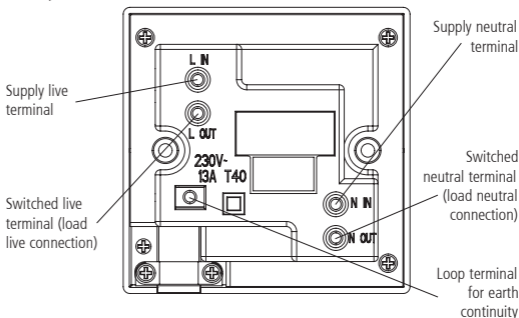
2

- Ensure the mains supply is switched off and the circuit supply fuses are removed or the circuit breaker turned off.
- Connect the incoming 230V 50Hz supply and outgoing load cables to the relevant terminals ensuring correct polarity is observed and that all bare conductors are sleeved (see section 5. Connection Diagram).
- A front cable exit cut-out is provided with a pre-installed removable cover.
- If the front exiting cable cut-out is required:
 1. Undo the 2 fixing screws and remove the blanking plate (you can discard the blanking plate at this stage but keep the 2 fixing screws).
 2. Remove the cable grip from the accessory pack.
 3. Using the 2 fixing screws previously removed from the blanking plate, secure the load cable to the unit.
- Finally secure the unit to the back box with the fixing screws provided, forming the cables during installation to avoid any entrapment and cable damage.

5. Connection Diagram

The terminals are marked as follows on the rear of the boost timer;

Example



3

Supply

Live (Brown or Red) to

L IN

Neutral (Blue or Black) to

N IN

Load

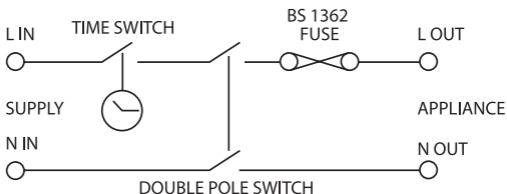
Switch Live (Brown or Red) to

L OUT

Neutral (Blue or Black) to

N OUT

Internal Schematic



6. Operation

- The required boost time is selected by pressing the button marked boost, repeatedly. The LEDs adjacent to the time markers will light up in sequence, showing the selected boost period.
- The boost sequence is as follows;

First push gives $\frac{1}{4}$ hour boost (LED opposite $\frac{1}{4}$ is ON)

Second push gives $\frac{1}{2}$ hour boost (LED opposite $\frac{1}{2}$ is ON)

Third push gives 1 hour boost (LED opposite 1 is ON)

Fourth push gives 2 hour boost (LED opposite 2 is ON)

Fifth push gives 4 hour boost (LED opposite 4 is ON)

Sixth push returns to zero boost (all LEDs are OFF)

- Once the boost selected is underway, the LEDs will go out sequentially, indicating the approximate boost time remaining.
Example: 2 hour boost has been set, all LEDs are on;

After 1 hour and 58 minutes, the 4 hours LED will flash for two minutes, and then will go out indicating 2 hours are remaining.

After 58 minutes the 2 hour LED will flash for two minutes, and then go out indicating 1 hour remaining.

After a further 28 minutes, the 1 hour LED will flash for two minutes, and then go out indicating $\frac{1}{2}$ hour remaining. After a further 13 minutes, the $\frac{1}{2}$ hour LED will flash for two minutes, and then go out indicating 15 minutes remaining.

After a further 13 minutes the $\frac{1}{4}$ hour LED will flash for two minutes, and then go out, indicating that the boost period has finished.

- In this way the user has an approximate guide to the remaining duration of the boost.
- If the boost button is pushed and held down, the LEDs will cycle upwards with 1 second between each change, in sequence $\frac{1}{4}$, $\frac{1}{2}$, 1, 2, 4, OFF.

7. Stopping or Increasing Boost

- During the first 15 seconds of activating the boost timer, it can be stopped by pressing the boost button repeatedly until all the LEDs are off.
- It can also be stopped during this time period, by holding down the boost button until all the LEDs are off.
- After the first 15 seconds of activation, the boost may be cancelled with a single push of the boost button.
- The Boost periods can only be increased during the first 15 seconds of activation. At all other times, the boost must be cancelled first, and the required boost periods re-entered.

3 Year Guarantee

In the unlikely event of this product becoming faulty due to defective material or manufacture within 3 years of the date of purchase, please return it to your supplier in the first year with proof of purchase and it will be replaced free of charge. For the second and third years or any difficulty in the first year telephone the helpline on 020 8450 0515.

Note: A proof of purchase is required in all cases. For all eligible replacements (where agreed by Timeguard) the customer is responsible for all shipping/postage charges outside of the UK. All shipping costs are to be paid in advance before a replacement is sent out.



Note: If you have any concerns that the intended application of this product does not meet your requirements, please contact Timeguard directly prior to installation.

If you experience problems, do not immediately return the unit to the store.

Telephone the Timeguard Customer Helpline;

HELPLINE

020 8450 0515

or email helpline@timeguard.com

Qualified Customer Support Co-ordinators will be on-line to assist in resolving your query.



Deta Electrical Co Ltd

Panattoni Park, Luton Road,
Chalton, Bedfordshire, LU4 9TT

Sales Office: 020 8452 1112
or email csc@timeguard.com

www.timeguard.com